

RAIO-15.6-V.2

Monitor with built-in touchscreen



PRODUCT DESCRIPTION

Functional and slim monitor with built-in capacitive touchscreen. Device can be mounted on a standard VESA100x100 holder. The holes on the back of the unit allows you to mount and directly connect the Raspberry Pi computer. The monitor can also be connected to devices that are equipped with a standard HDMI video output

MAIN FEATURES

- LCD 15.6", 1920x1080 resolution
- Capacitive, multitouch touchscreen
- Raspberry Pi mounting base
- Compact design
- VESA 100x100 mounting holes

ALL-IN-ONE



Unit mounted on a VESA stand

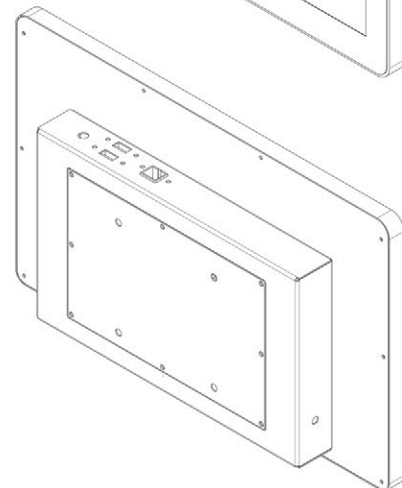
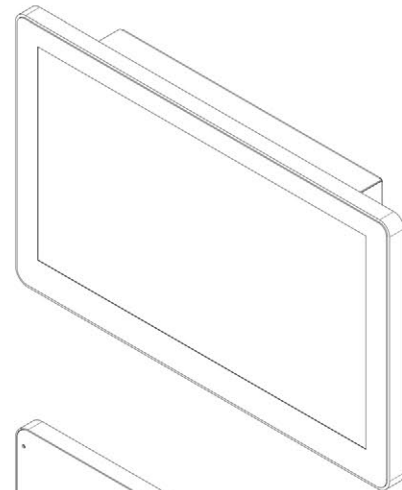
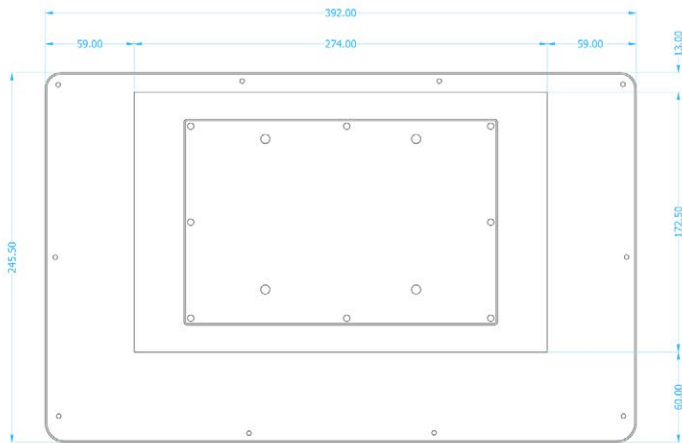
DISPLAY

Display type	Color LED TFT-LCD
Screen size	15.6"
Resolution	1920X1080
Touchscreen	Capacitive multitouch
Brightness	250 cd/m2
Video inputs	HDMI

OTHER SPEC.

Power consumption	15 Watt
Input voltage	12V DC
Weight	~3 kg
Environmental spec.	Operating temperature: 0 ~ 50° C (32 ~ 122° F) Relative humidity: 10 ~ 95% @ 40° C non-condensing
Housing	ABS and steel with VESA mounting holes and front panel mounting holes
Available ports	2x USB 2.0, Ethernet, optional 40 pin GPIO pinout, Wifi antenna SMA port

DIMENSIONS



AVAILABLE STANDS

1.



2.



BACK COVER REMOVED



Interior of our case with Raspberry Pi 4 installed