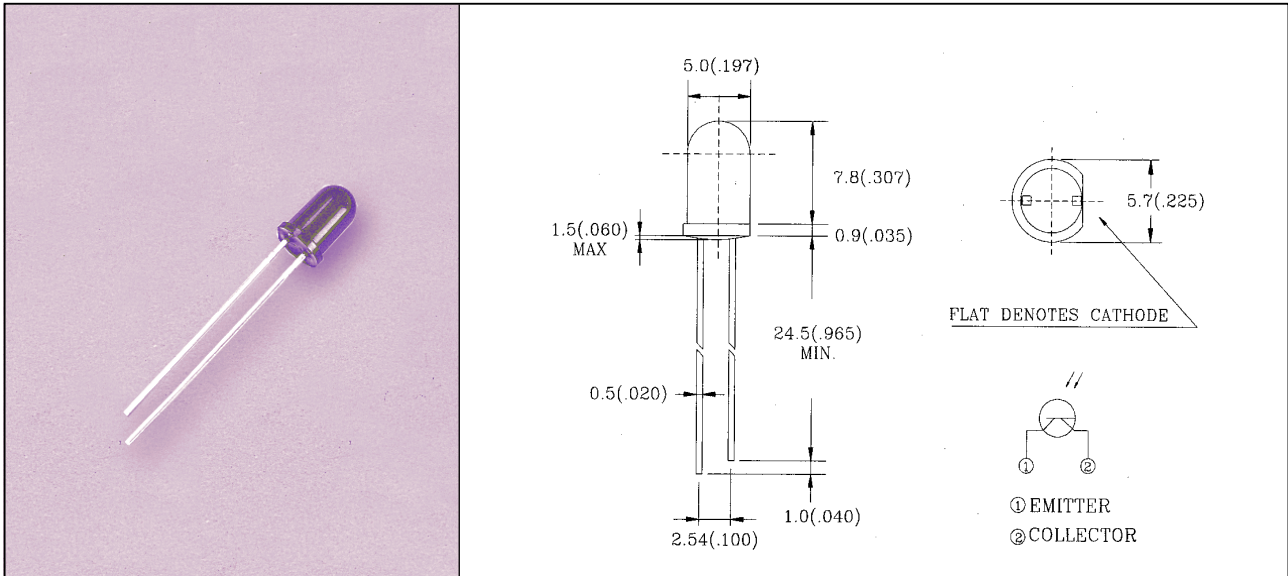


## L-51ROPT1XX 5.0mm PHOTOTRANSISTOR



◆ **ABSOLUTE MAXIMUM RATING:(Ta=25°C)**

Part No.	P <sub>D</sub> (mw)	V <sub>(BR)R</sub> (V)	Topr	Tstg
L-51ROPT1XX	10	5	-35°C to 85°C	-35°C to 85°C
<b>PARAMETER</b>	<b>Power Dissipation</b>	<b>Reverse break down voltage</b>	<b>Operating Temperature Range</b>	<b>Storage Temperature Range</b>
<b>Lead Soldering Temperature {1.6mm(0.063 inch)From Body}250°C ± 5°C For 3 Seconds</b>				

◆ **ELECTRO-OPTICAL CHARACTERISTICS:(Ta=25°C)**

Part No.	BV <sub>CEO</sub> (V)			BV <sub>ECO</sub> (V)			I <sub>CEO</sub> (nA)			V <sub>CE(s)</sub> (V)			t <sub>r</sub> /t <sub>f</sub> (uS)			I <sub>c</sub> (mA)			C <sub>CB</sub> (pF)			λ (nm)		
	MIN	TYP	MAX	MIN	TYP	MAX	MIN	TYP	MAX	MIN	TYP	MAX	MIN	TYP	MAX	MIN	TYP	MAX	MIN	TYP	MAX	MIN	PEAK	MAX
L-51ROPT1C	30			5					100			0.4	15	15		1.8	2.4			6.4		400		1050
L-51ROPT1D1	30			5					100			0.4	15	15		1.7	2.2			6.4		900	940	
L-51ROPT1D2	30			5					100			0.4	15	15		1.7	2.2			6.4		800	870	