

ACTUATOR LD3/LD3Q



Features

- ◆ LD3 features its compact design, which is suitable for various applications that require limited installation space, such as window opener and adjustable car driver seat. Quiet version, LD3Q, is available for applications that require compact size and quiet operation.
- ◆ Main applications : Industrial, homecare, furniture
- ◆ Input voltage : 24V DC / 12V DC
- ◆ Max. load : 1200N (push/pull)
- ◆ Max. current : 3.5 A @ 12V DC
- ◆ Max. speed : 44 mm/sec @ no load
- ◆ Stroke : 50~300 mm (other strokes are available)
- ◆ Duty cycle : 25% or 1 min continuous operation in 4 min.
- ◆ IP protection level : IP54
- ◆ Color : Aluminum grey
- ◆ Certified : EN 55014-1
EN55014-2
- ◆ Noise level : ≤ 70 dB (Normal version) / ≤ 55 dB (Quiet version)
- ◆ Preset limit switches

Options

- ◆ IP65
- ◆ Single / dual Hall sensor
- ◆ Potentiometer

Compatibility

1. Control Box

T-Control, CS1, CB3T, CB4M

2. Handset

HA, HC, HD, HF, HI, HJ, HK, HM, H3NT, TXH3+TXA4

3. Accessory

Clamp

Mounting bracket



Clamp

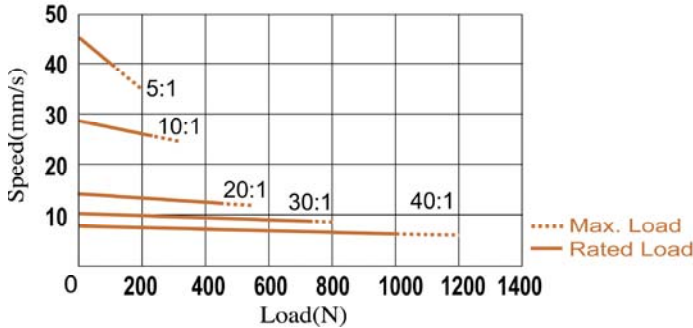


Mounting Bracket

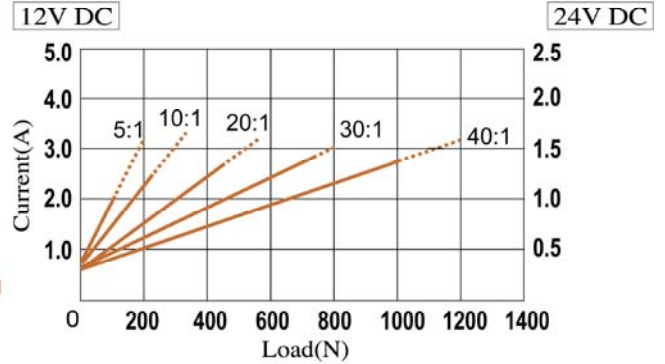
Performance Data

◆ LD3

Speed vs Load



Current vs Load



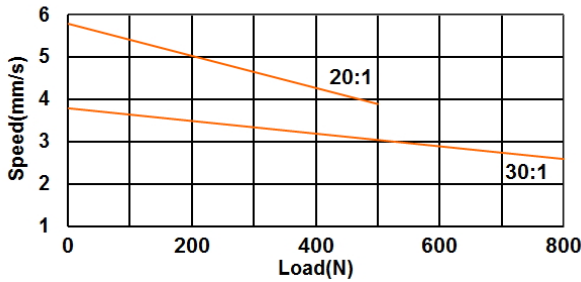
Model No.	Push/Pull Max. (N)	Speed (mm/s)		Current (A)			
		No load	Full load	No load		Full load	
				12V	24V	12V	24V
LD3-XX-05-(E6/K3)-XXX	150	43.9	40.0	0.8	0.4	2.0	1.0
LD3-XX-10-(E6/K3)-XXX	250	27.6	26.0	0.8	0.4	2.4	1.2
LD3-XX-20-(E6/K3)-XXX	500	14.6	13.5	0.8	0.4	2.6	1.3
LD3-XX-30-(E6/K3)-XXX	800	9.5	9.1	0.8	0.4	2.9	1.5
LD3-XX-40-(E6/K3)-XXX	1000	7.0	6.5	0.8	0.4	2.8	1.4

E6: 3000 RPM motor with 6mm dual threaded spindle

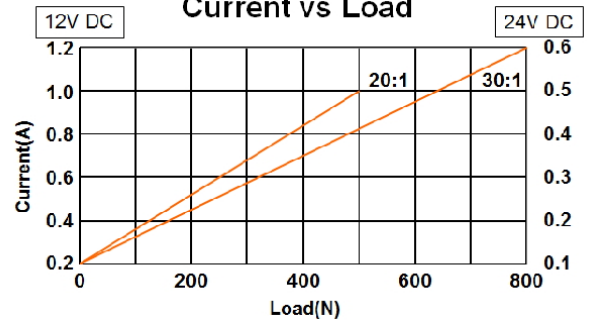
K3: 6000 RPM motor with 3mm single threaded spindle

◆ LD3Q

Speed vs Load



Current vs Load



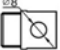
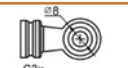


Model No.	Push/Pull Max. (N)	Speed (mm/s)		Current (A)			
		No load	Full load	No load		Full load	
				12V	24V	12V	24V
LD3Q-XX-20-D3-XXX	500	5.8	3.9	0.2	0.1	1.0	0.5
LD3Q-XX-30-D3-XXX	800	3.8	2.6	0.2	0.1	1.2	0.6

D3: 2400 RPM motor with 3mm single threaded spindle

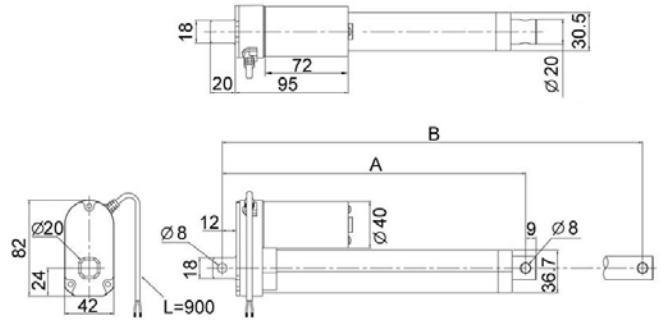
Dimensions

◆ Standard type




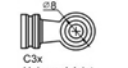
	Stroke	50	100	150	200	250	300
 C1x Hole $\varnothing 8$  C2x Plastic Connector	A	158	209	260	311	362	413
	B	208	309	410	511	612	713
 C3x Universal Joint	A	199	250	301	352	403	454
	B	249	350	451	552	653	754

Unit : mm

A:Retracted Length
B:Extended Length
Stroke=B-A

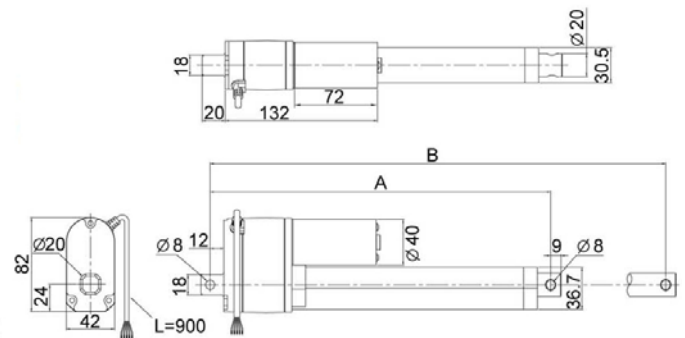


◆ POT type




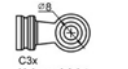
	Stroke	50	100	150	200	250	300
 C1x Hole $\varnothing 8$  C2x Plastic Connector	A	195	246	297	348	399	450
	B	245	346	447	548	649	750
 C3x Universal Joint	A	236	287	338	389	440	491
	B	286	387	488	589	690	791

Unit : mm

A:Retracted Length
B:Extended Length
Stroke=B-A

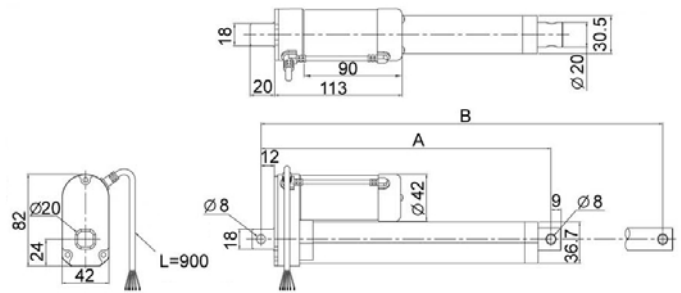


◆ Hall sensor type

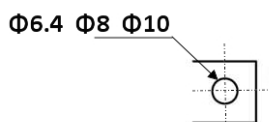
	Stroke	50	100	150	200	250	300
 C1x Hole $\varnothing 8$  C2x Plastic Connector	A	158	209	260	311	362	413
	B	208	309	410	511	612	713
 C3x Universal Joint	A	199	250	301	352	403	454
	B	249	350	451	552	653	754

Unit : mm

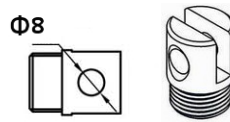
A:Retracted Length
B:Extended Length
Stroke=B-A



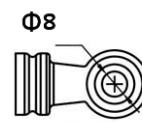
◆ Front connector



C1x
Round hole

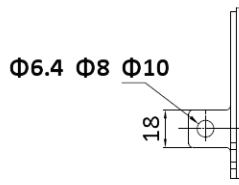


C2x
Plastic
gap=6mm



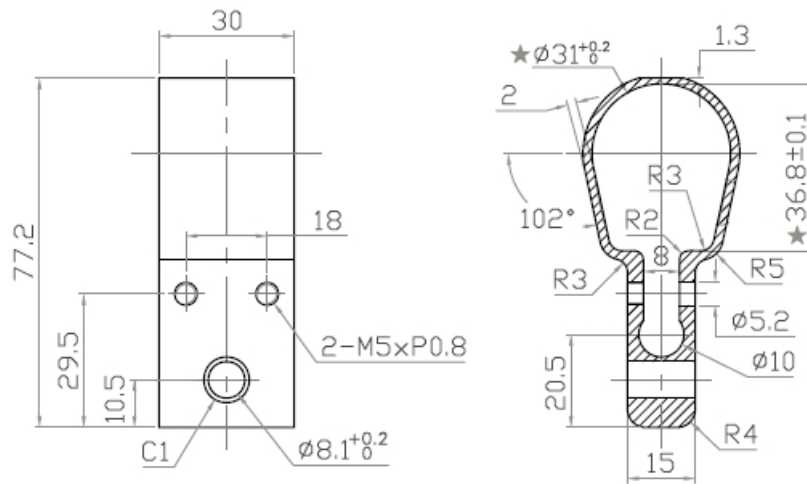
C3x
Universal joint

◆ Rear connector

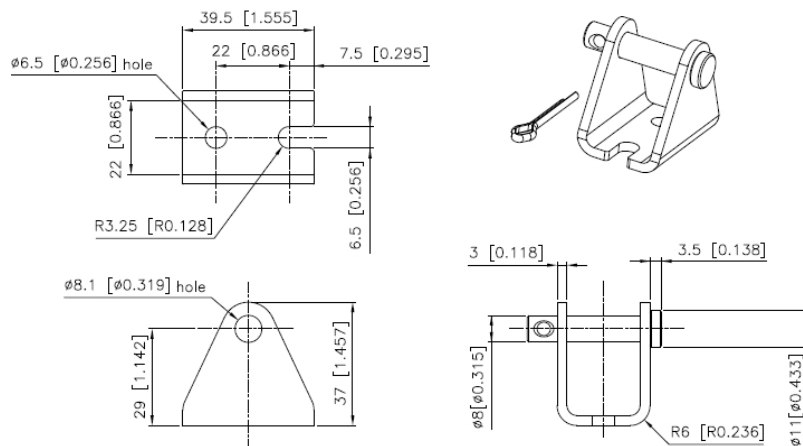


Cx1
Round hole

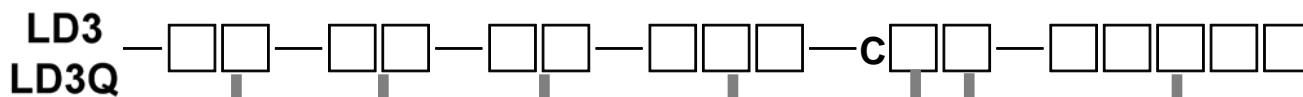
◆ Clamp



◆ Mounting bracket



Ordering Key



Type

Q : quiet

Input Voltage

12 : 12V DC

24 : 24V DC

Gear Ratio

05 : 5:1

10 : 10:1

20 : 20:1 (including LD3Q)

30 : 30:1 (including LD3Q)

40 : 40:1

Motor and Spindle Type

G3 : 4500rpm, pitch=3mm, single thread

E6 : 3000rpm, pitch=6mm, double thread

K3 : 6000rpm, pitch=3mm, single thread

D3 : 2400rpm, pitch=3mm, single thread (only LD3Q)

Stroke

050 : 50mm

100 : 100mm

150 : 150mm

200 : 200mm

250 : 250mm

300 : 300mm

Front Connector

1 : Round hole

2 : Plastic

3 : Universal joint

Rear Connector

1 : Round hole

Option

HS1/HS2 : Single / dual Hall sensor (external type)

POT : Potentiometer

54 / 65 : IP54 / IP65