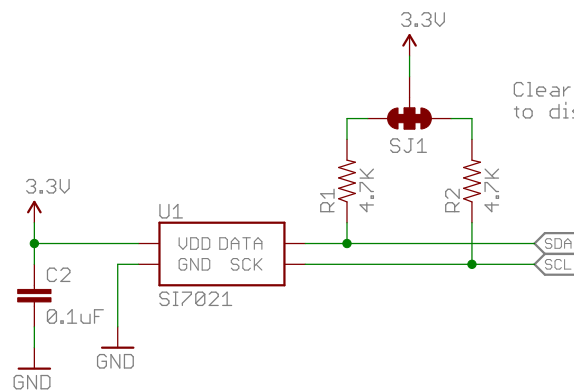
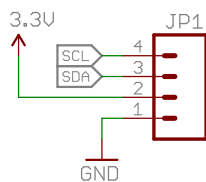


Input Voltage Range (VDD): 1.9V to 3.6V  
I2C Input Voltage Max: VDD



Clear both sides of SJ1  
to disable I2C pullup resistors

7-bit I2C Address is 0x40  
I2C write is 0x80  
I2C read is 0x81



Released under the Creative Commons  
Attribution Share-Alike 4.0 License  
<https://creativecommons.org/licenses/by-sa/4.0/>



TITLE: SparkFun\_Si7021\_Breakout

Design by: J. Bartlett

REV:  
v10

Date: 5/2/2016 9:32 AM

Sheet: 1/1