

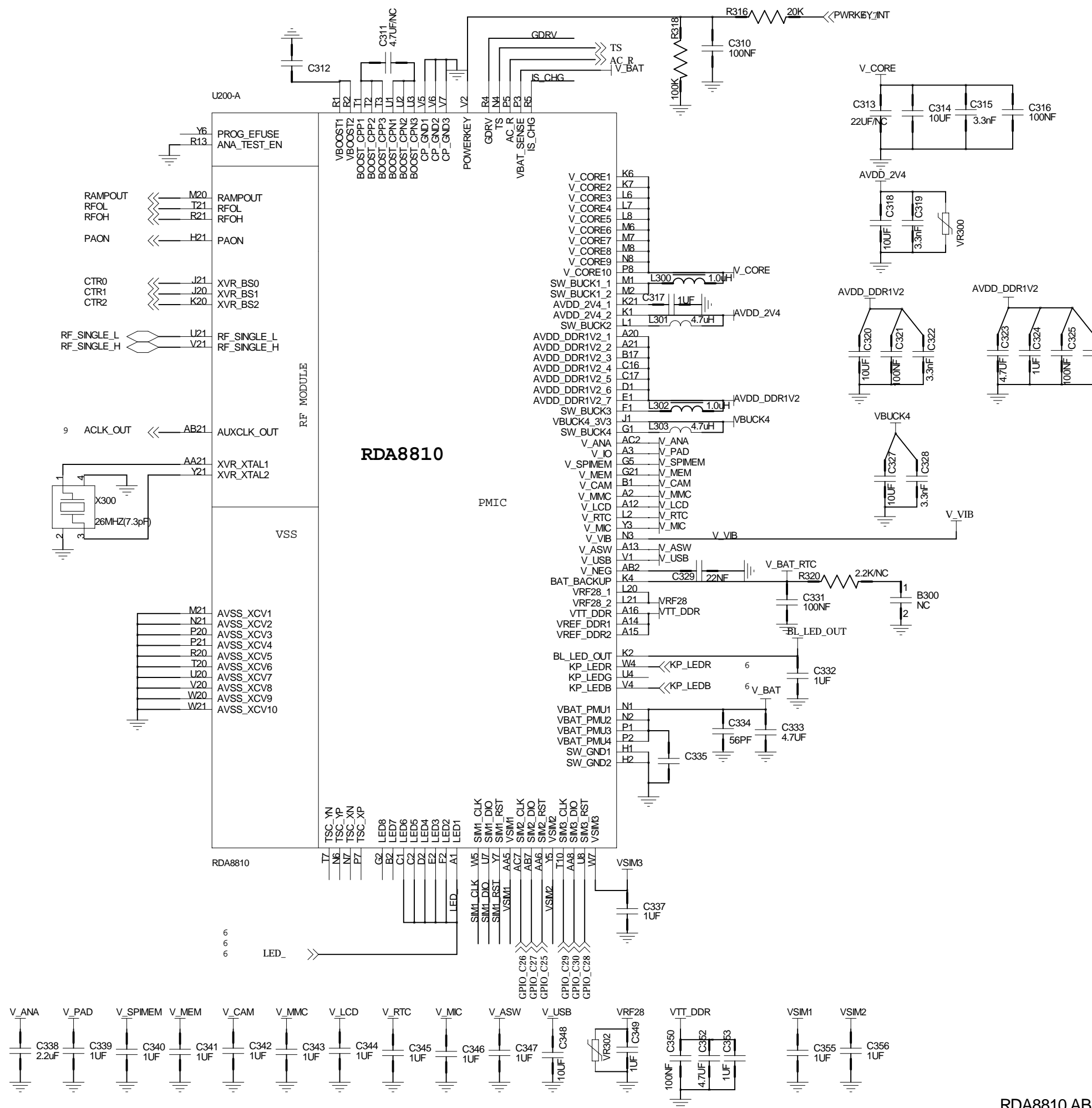
RDA8810NL&P&PL REFERENCE DESIGN SCHEMATIC

INDEX OF SCHEMATIC PAGES

PAGE	DESCRIPTION
PAGE01:	INDEX
PAGE02:	RDA8810 BB
PAGE03:	RDA8810 AB&SIM Card
PAGE04:	RF RDA6625
PAGE05:	T-Flash Card
PAGE06:	Keypad/LCM/CAMERA/G-SENSOR
PAGE07:	TP & I/O Interface
PAGE08:	Audio
PAGE09:	WiFi/BT/FM_RDA5991

RDA Microelectronics Inc.

Title		
Index		
Size C	Document Number RDA8810 Schematic	Rev 1.0
Date: Monday, May 25, 2015	Sheet 1 of 9	



Power name	output voltage(V)	output current(mA)	Default	Sleep	Field	Note
V_PAD	1.8/2.8	60/120	ON	ON	GPIO/SPI/UART/HOST/I2C	
V_ANA	2.5	120	ON	OFF		
V_SPI_MEM	1.8/2.8	170	ON	ON	SPI_MEM	
V_MEM	1.8	120	ON	ON		Internal memory
V_CAM	1.8/2.8	100/120	ON	OFF	CAM	
V_MMC	2.7/3.0	100	ON	OFF	MMC	SD card
V_LCD	1.8/2.8	140/140	ON	OFF	LCM	
V_MIC	1.8	/	OFF	OFF		
V_VIB	3.2	150	OFF	OFF		Vibrator
V_ASW	1.8/2.8	170/190	ON	OFF		
V_USB	3.3	240	ON	ON		USB
VRF28	1.8/2.8	130/130	ON	ON		RF
VTT_DDR	0.6	/	OFF	OFF		
BL_LED_OUT	3.2	190	OFF	OFF		DDR ref
VSIM1	1.8/2.8	100	OFF	OFF	SIM1	LED
VSIM2	1.8/2.8	100	OFF	OFF	SIM2	
VSIM3	1.8/2.8	100	OFF	OFF	SIM3	
V_RTC	2.8	/	ON	ON		

RDA8810 AB

Battery Connector

RDA Microelectronics Inc.

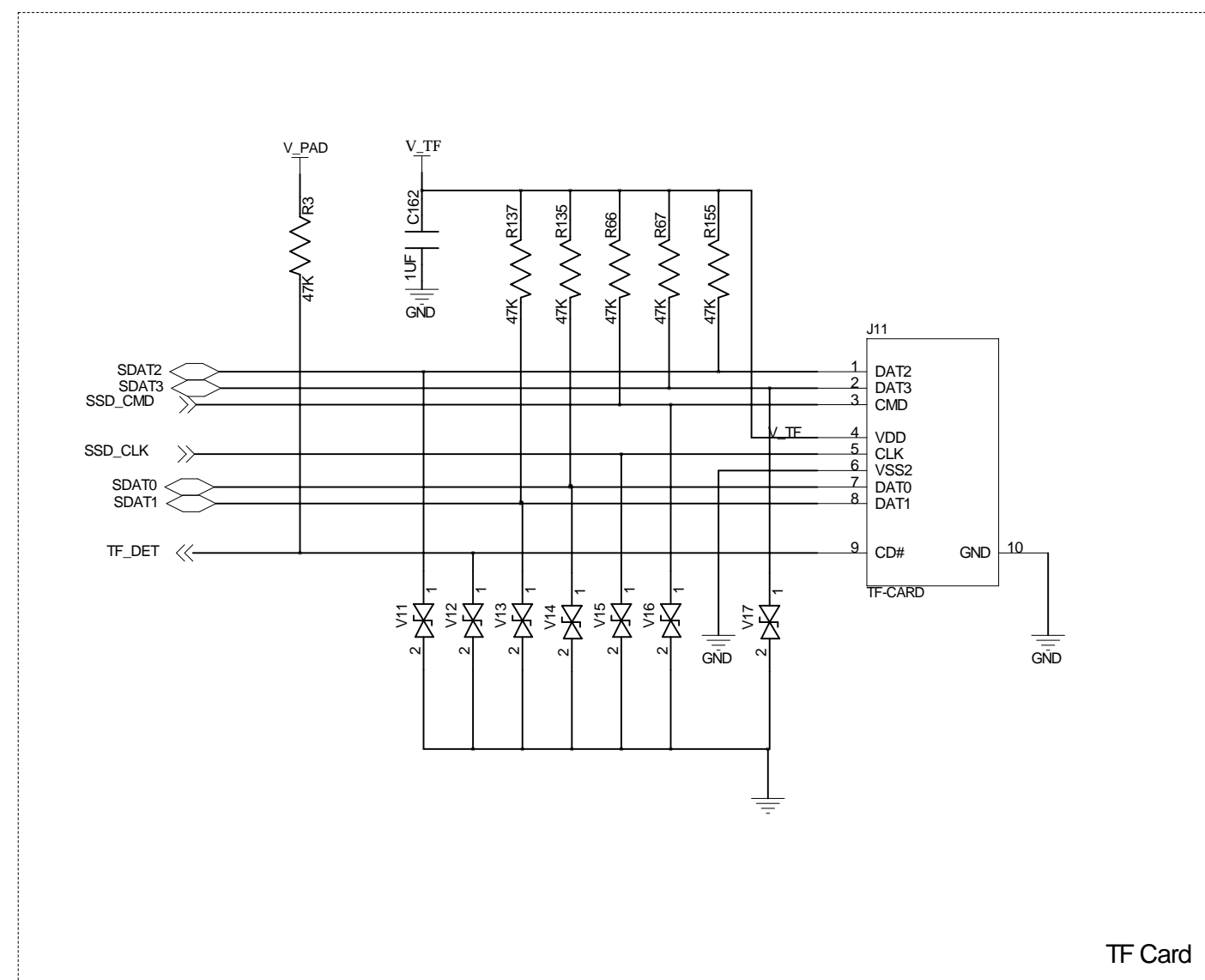
Title: **RDA8810 AB & SIM Card**

Size: C Document Number: **RDA8810 Schematic** Rev: 1.0

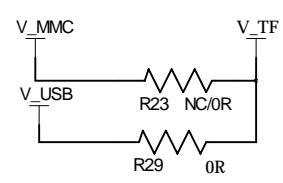
Date: Saturday, August 29, 2015 Sheet 3 of 9

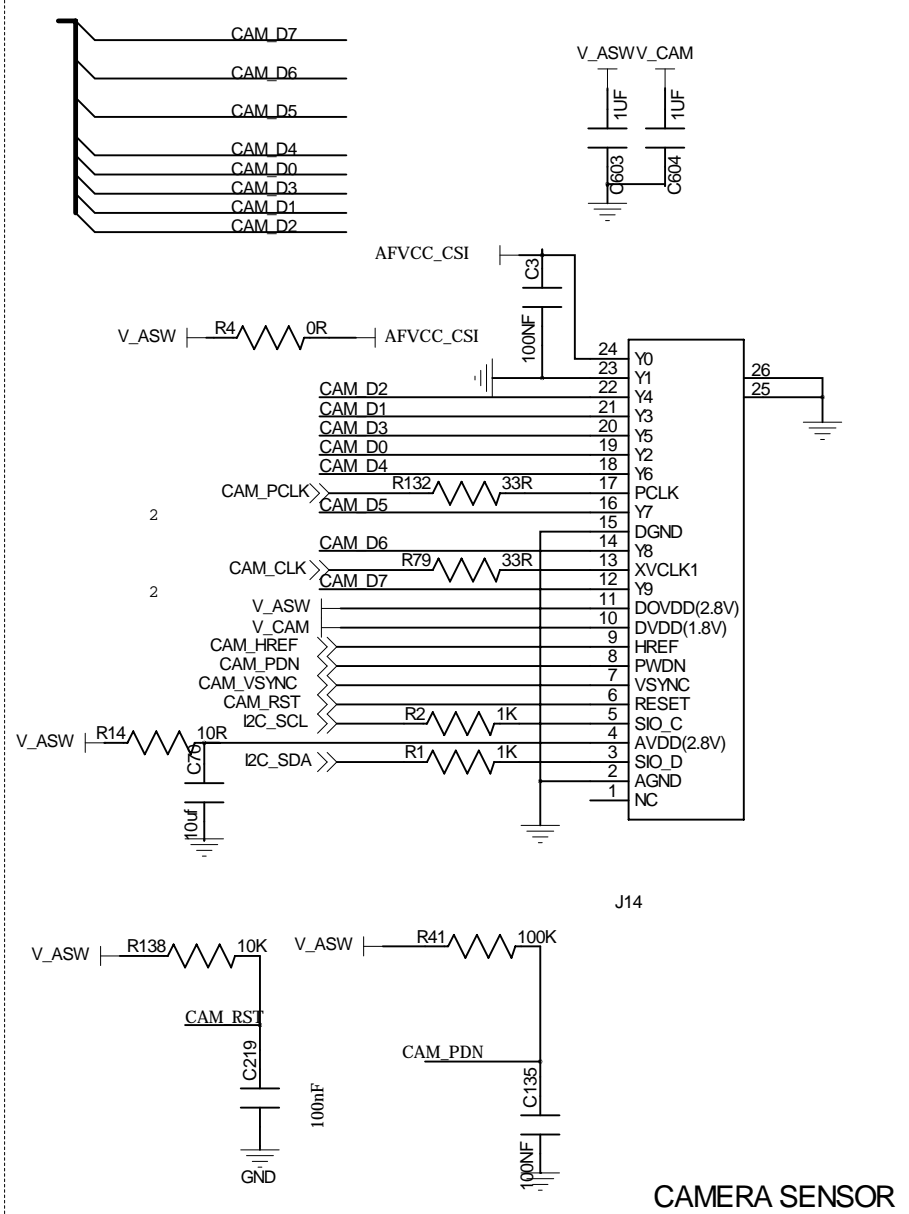


RDA Microelectronics Inc.		
Title		
RF RDA6625		
Size	Document Number	Rev
C	RDA8810 Schematic	1.0
Date:	Monday, April 27, 2015	Sheet 4 of 9
		1

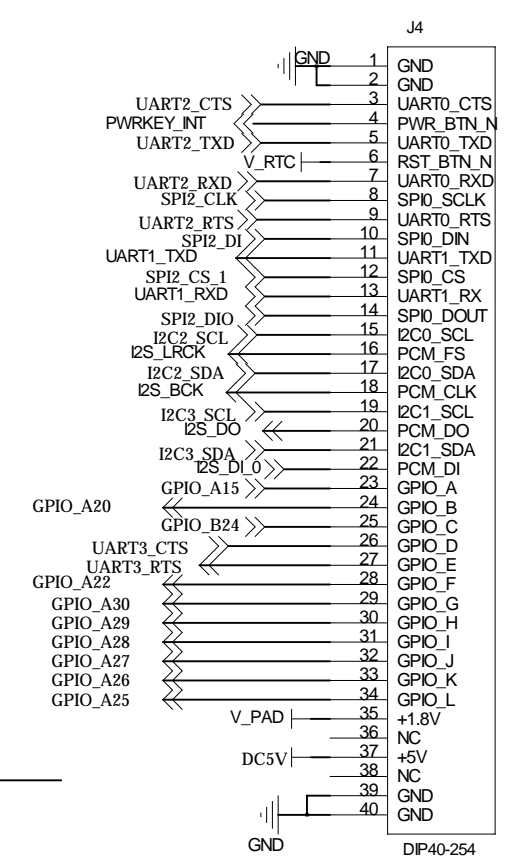


TF Card





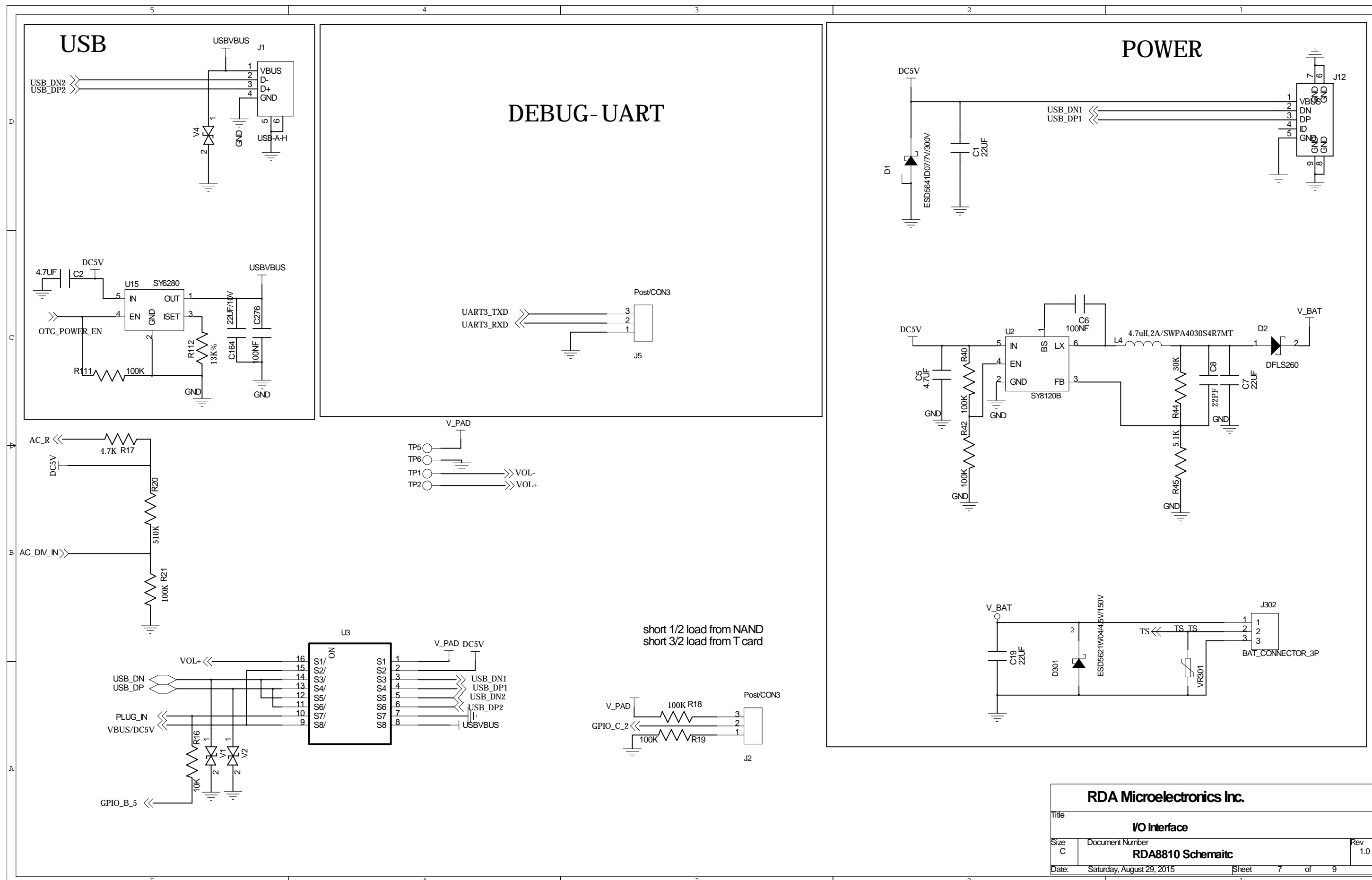
CAMERA SENSOR



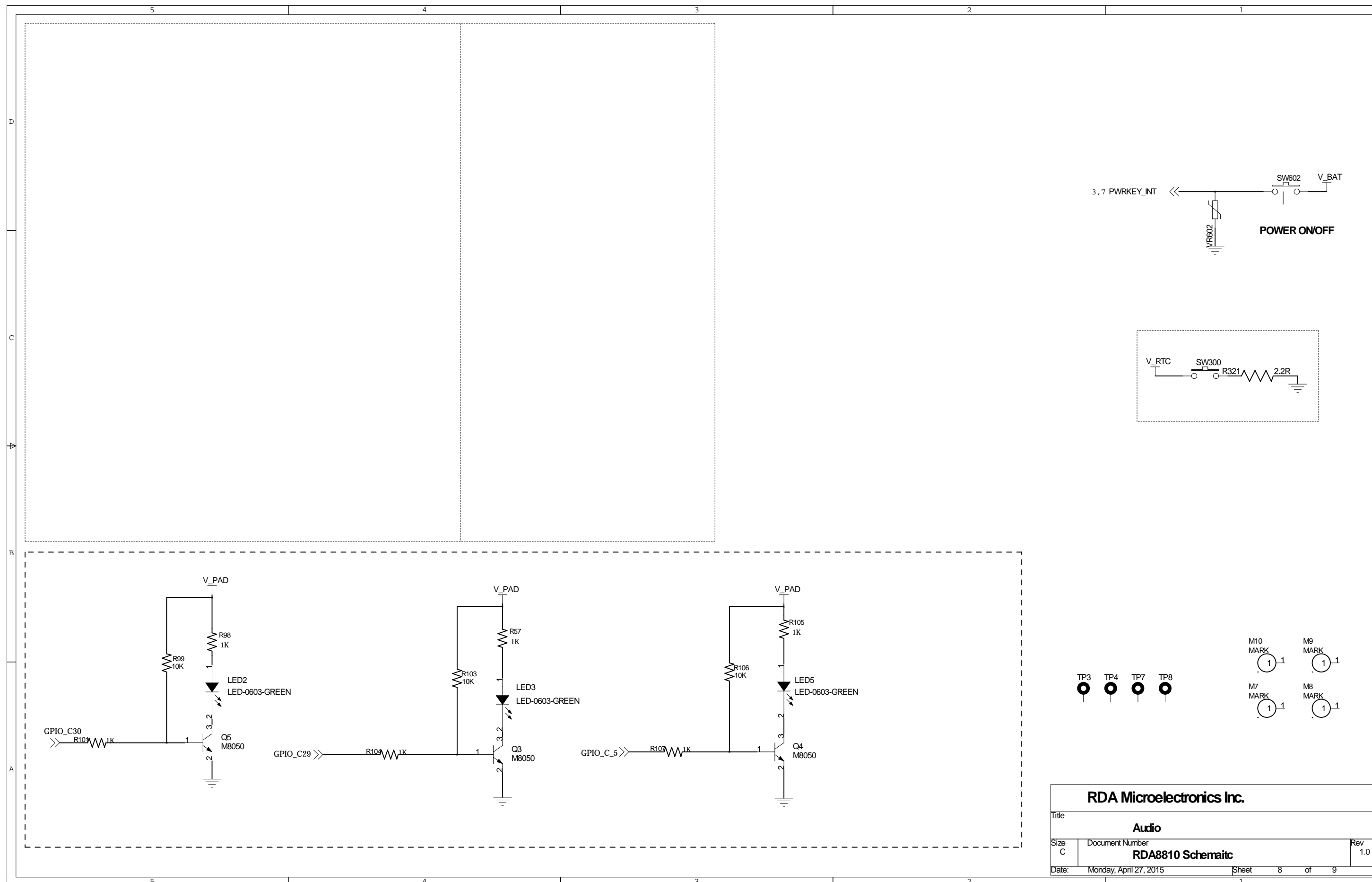
EXPORT

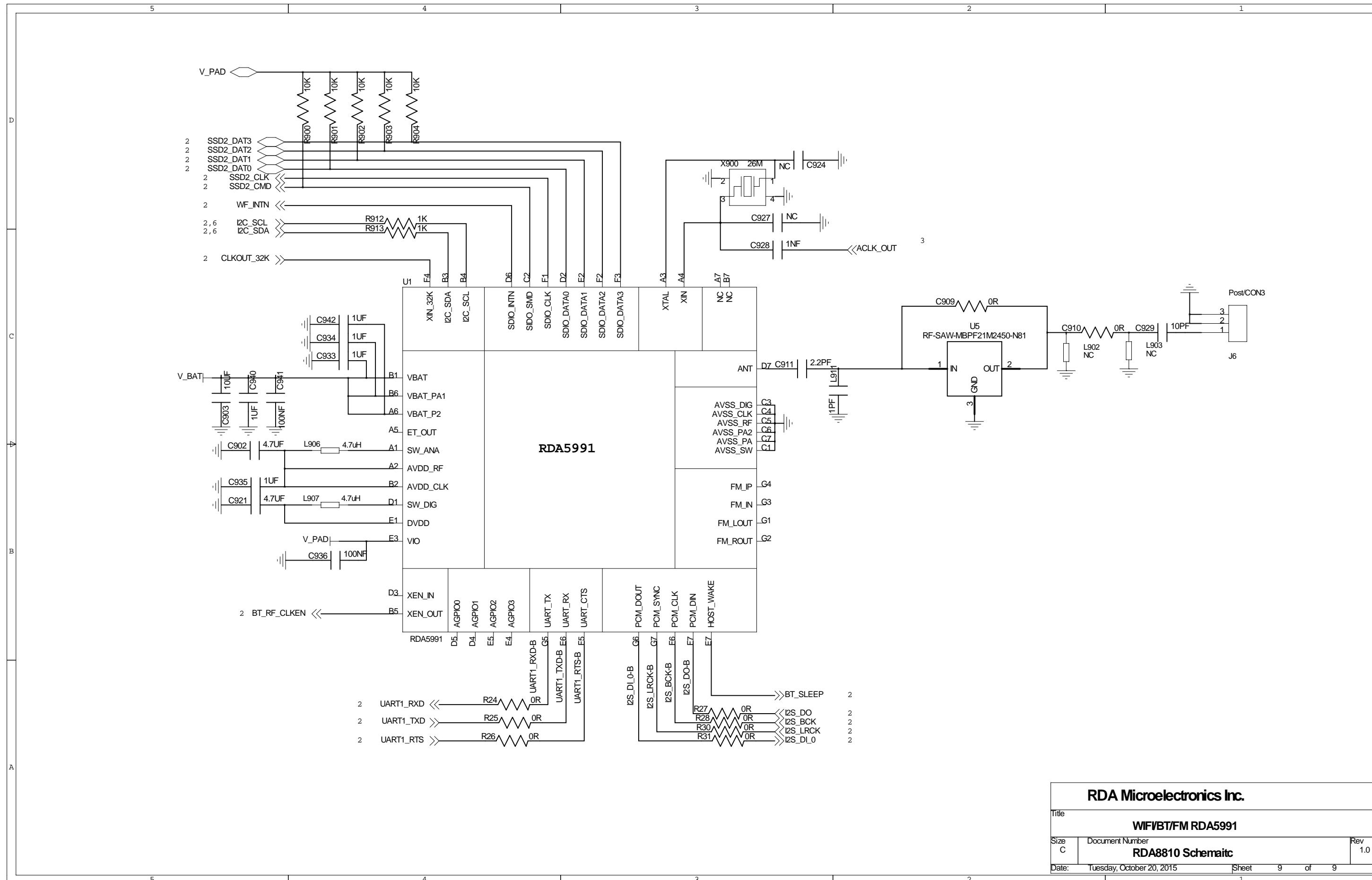
GPIO_A24 ←

Keypad



RDA Microelectronics Inc.		
Title	I/O Interface	
Size	Document Number	Rev
C	RDA8810 Schematic	1.0
Date:	Saturday, August 29, 2015	Sheet 7 of 9





RDA Microelectronics Inc.		
Title		
WF/BT/FM RDA5991		
Size	Document Number	Rev
C	RDA8810 Schematic	1.0
Date:	Tuesday, October 20, 2015	Sheet 9 of 9