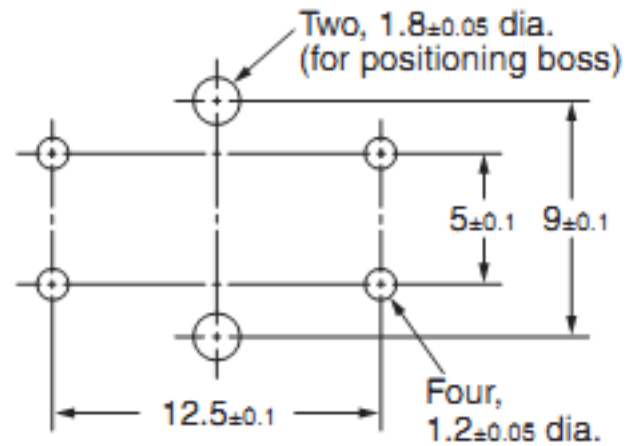
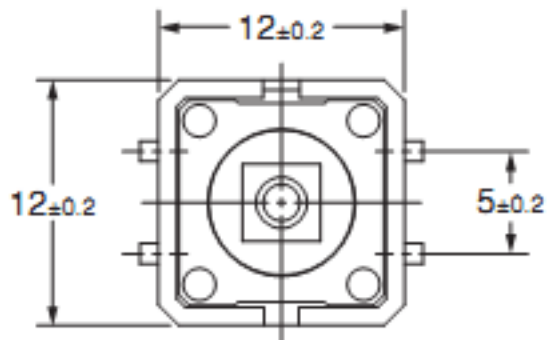


**PCB Mounting (Top View)
(Single-sided PCB, $t=1.6$)**



**Terminal Arrangement/
Internal Connections
(Top View)**

