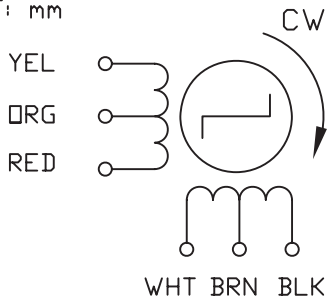


UNIT: mm




SPECIFICATION:

VOLTAGE: 5VDC
 RESISTANCE: 20 Ω±7%
 STEP ANGLE: 15°
 HOLDING TORQUE: 5Kg.cm
 INDUCTANCE: 5.8mH±20%
 GEAR RATIO: 1-76
 LEAD WIRE: UL061 28#
 INSULATION: CLASS E

GEAR TYPE: PLANETRY
 GEAR MATERIAL: NYLON

Pin No.	WIRE	STEP			
		00	01	02	03
1	WHT	-	-		
2	BRN	+	+	+	+
3	BLK			-	-
4	YEL	-			
5	ORG	+	+	+	+
6	RED		-	-	

					PM STEPPER WITH PLANETRAY GEARBOX				 TYPE: PG25	
MARK	PLCS	AMDT	FILE	MD.	SIG.	DATE	MARK	VER.		
DRAW	ZHOU Y.	2005.	04.27	TEC.			A	B	A/O	1:1
CHECK				APP.	YU LX	2005.	PAGE		MD.	OF
						04.27				