

Specification

Lithium Polymer Battery Pack (LP584174) 1800mAh 3.7V with Protection Circuit Module (PCM)
 This data sheet describes the requirements and properties of lithium polymer rechargeable battery pack manufactured by AKYGA

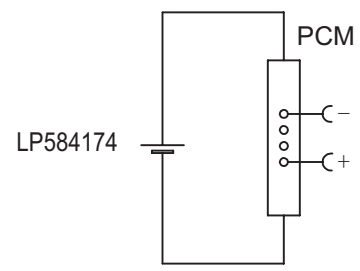
Mechanical Characteristics

Type number: LP584174
 Designation IEC system: Lithium polymer battery pack
 Length: 74 ± 0.5 mm
 Width: 41 ± 0.5 mm
 Thickness: 5.8 ± 0.4 mm
 Cable: 150 ± 3.0 mm (26AWG UL1571)
 Connector: JST SYP-02T/02TV-1 2.54mm connector & socket
 Weight: appr. 38.0g

Electrical Specification

Rated capacity: 1800mAh min, 1860mAh typ.
 Nominal voltage: 3.7V
 Max. operating voltage range: 3.0V to 4.2V
 Charge voltage: 4.2 ± 50 mV
 Initial charge current: Standard charge: 350mA
 Rapid charge: 900mA
 Charging cut-off (A or B)
 A) By time: Standard charge: 5 hours
 Rapid charge: 2 hours
 B) By min. current: 30mA
 Max continuous discharge current: 1800mA
 Internal impedance (1kHz): approx 39mOhm
 Exp. cycle life: >500 cycles >80% of initial cap. (0.5C/0.5C)
 Cell protection
 Overcharge detection: 4.325 ± 25 mV
 (0.5 to 2.0 sec. delay, resume 4.075 ± 50 mV)
 Overdischarge detection: $3.00V \pm 25$ mV
 (6.25 to 250msec. delay, resume $2.9V \pm 100$ mV)

Circuit diagram

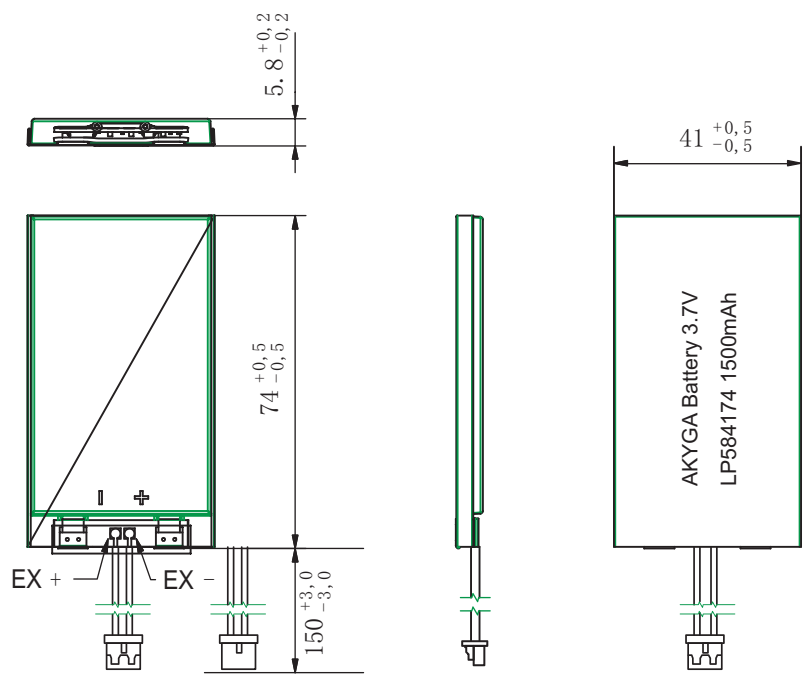


Ambient conditions

Temperature range
 Charge: 0 to +45°C
 Discharge: -20 to +60°C
 Charge retention/Storage: 1 year at -20 to 20°C >70%
 3 month at -20 to 45°C >70%
 1 month at -20 to 60°C >70%

Safety

Please follow handing and Safety Precautions Poliflex.



Index	Alteration		Date	Name
Projection:		Diese Mae werden besonders geprüf This dimensions are considered inspectable	Material 66451753 5134	
Mae in mm All dimensions in mm	Freimatoleranzen Generaltoleranzen	Date 11.02.2014 Name Xie Qingfang	Benennung/Designation LP584174	
Als Betriebsgeheimnis anvertraut, alle Rechte vorbehalten.	up to 6 : 0,1 over 6 up to 30 : 0,2 over 30 up to 100 : 0,3 over 100 : 0,5	Bearb./Desig 11.02.2014 Gepr./Check 11.02.2014 Guo Daxia	Zchng. / Dwg.Nr. 3 FD_2262_26	
Proprietary data, company confidential, all rights reserved.	Origin:	Index		

