
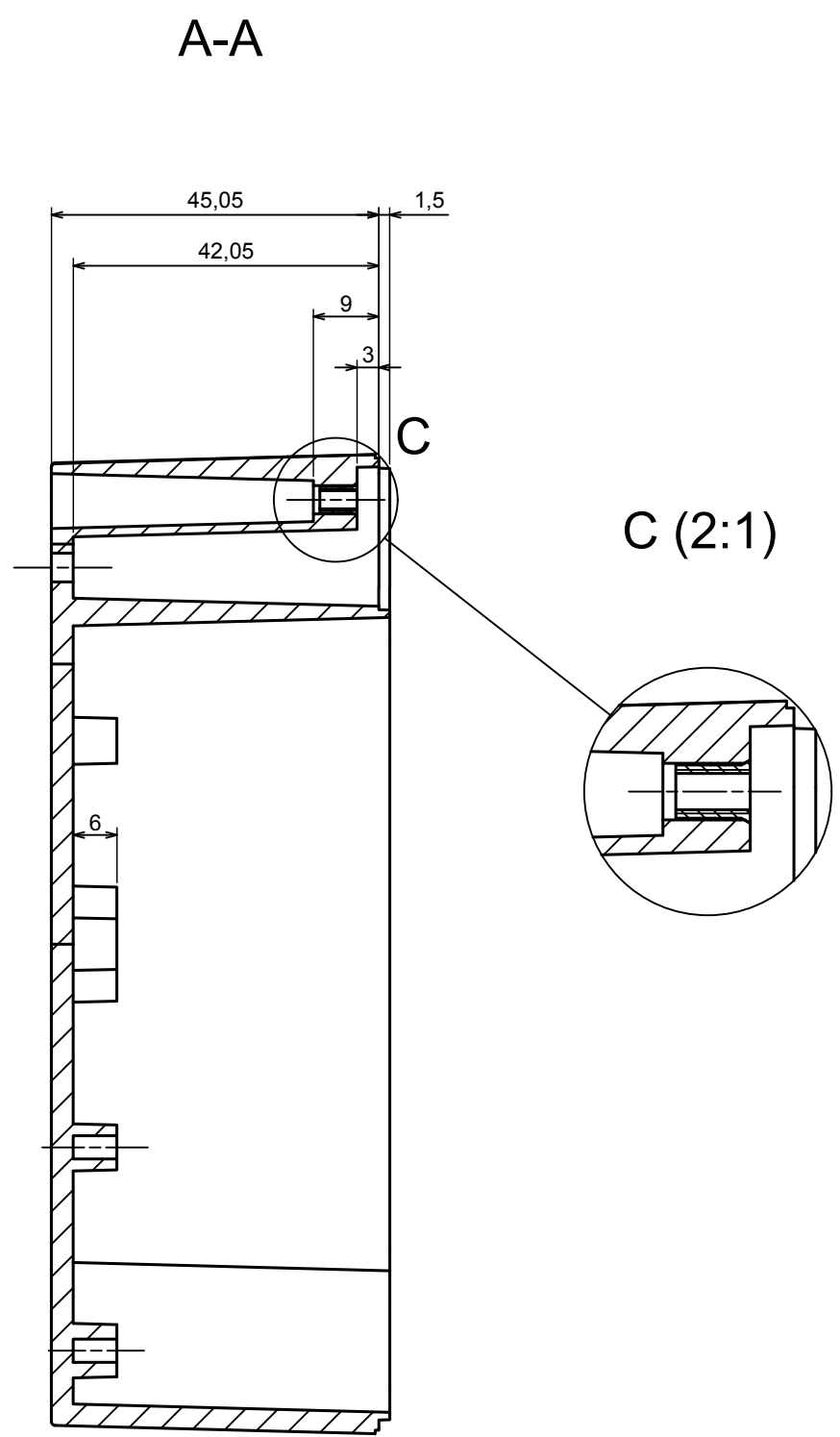
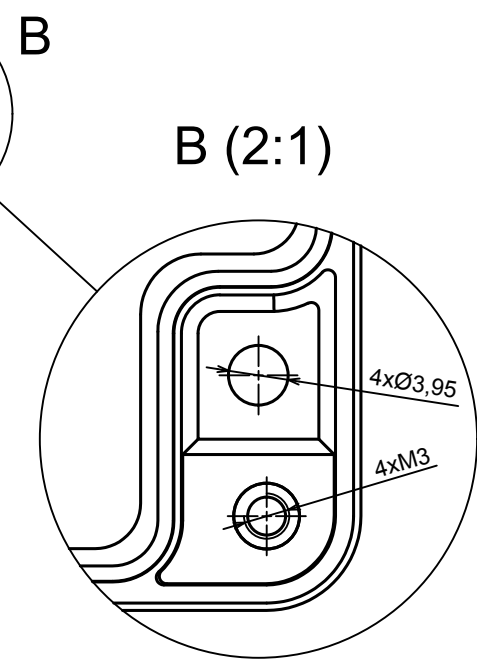
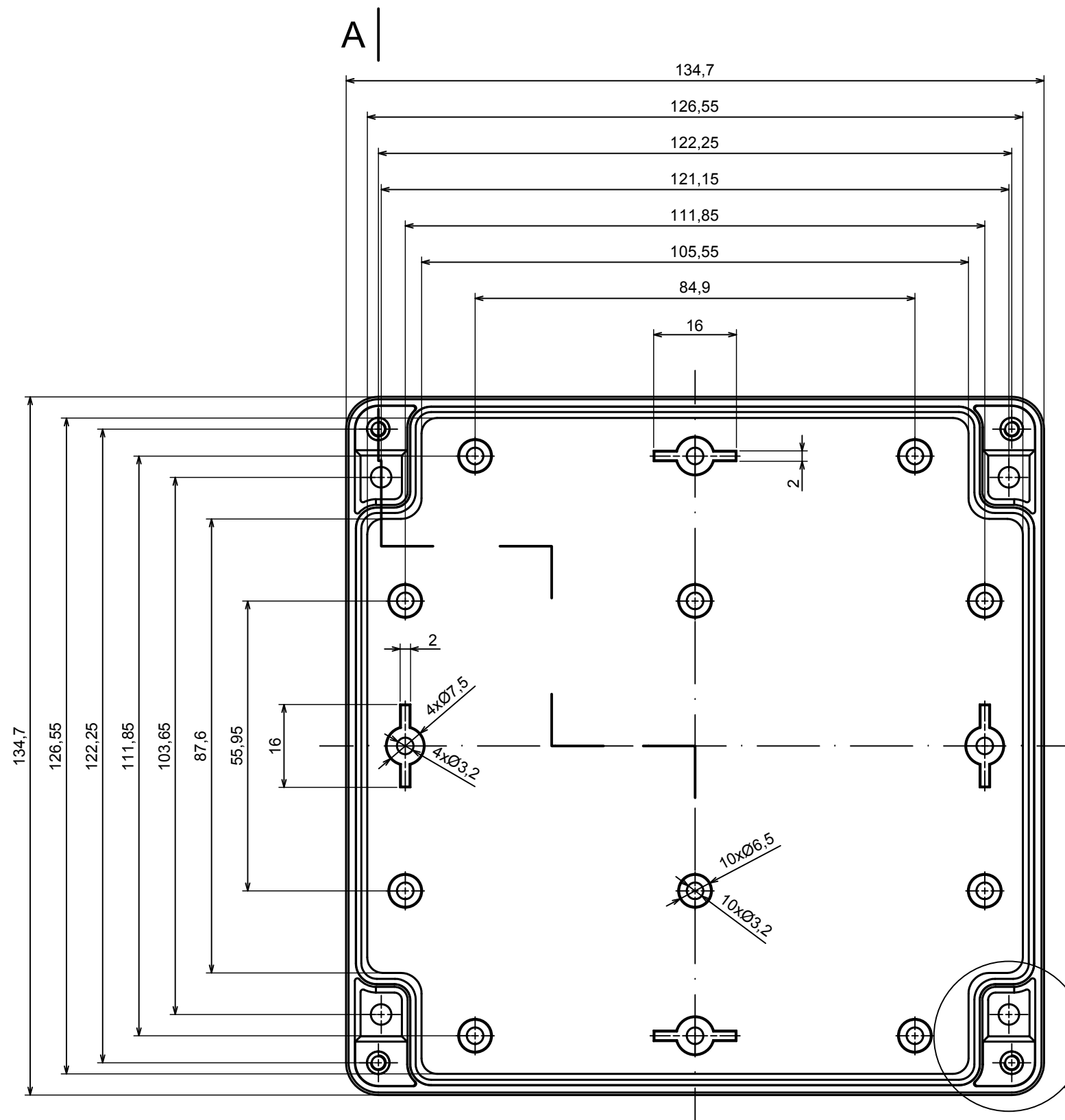


All rights reserved, Copyright Kradox 2018		
Product model	Enclosure ZP135.135.60J TM - Assembly	
Format: A3	Material: PC, ABS	
Scale 1:1	Tolerance: +/- 0.6	



A |


B

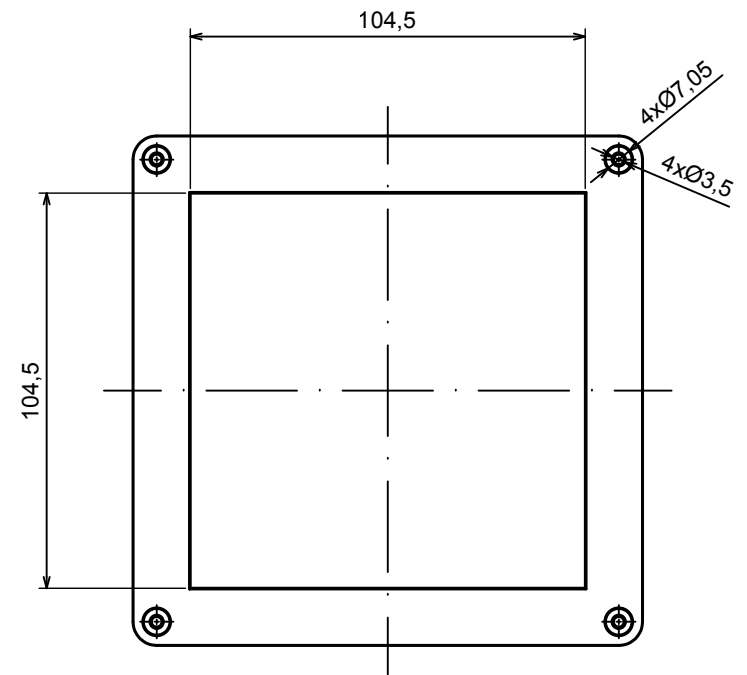
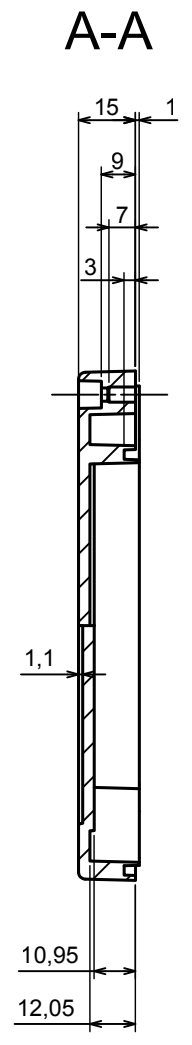
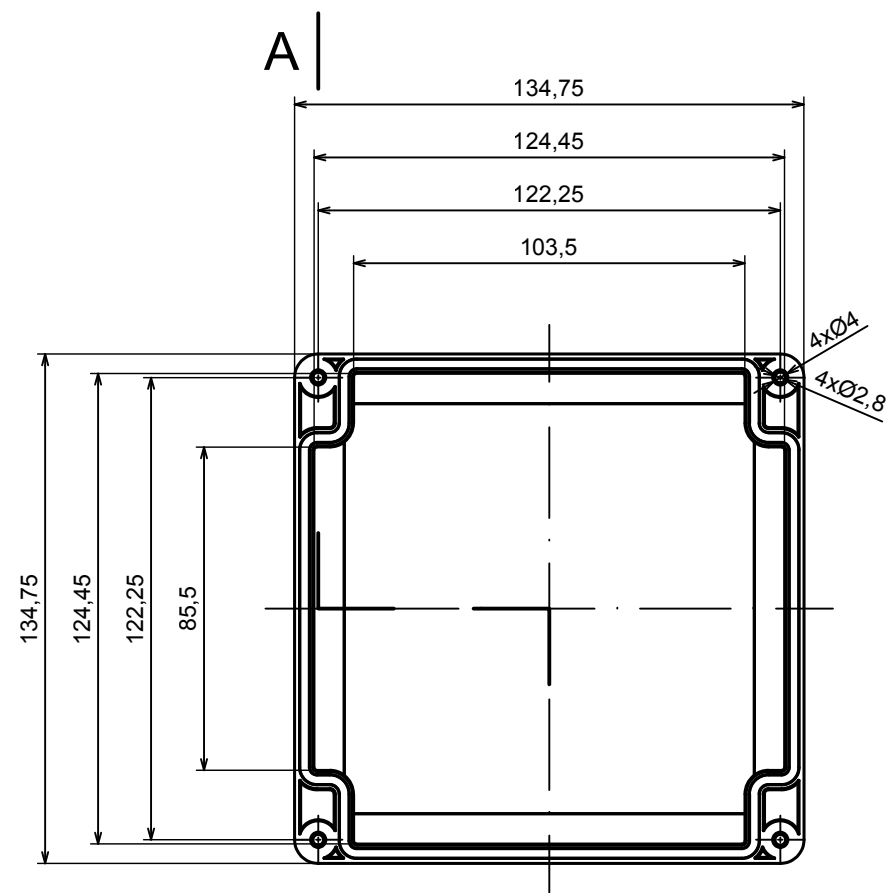
B (2:1)

A-A


C

C (2:1)

All rights reserved, Copyright Kradox 2018		
Product model	Enclosure ZP135.135.60J TM - Base ZP135.135.45J TM	
Format: A3	Material: PC, ABS	
Scale 1:1	Tolerance: +/- 0.6	



A

All rights reserved, Copyright Kradox 2018		
Product model	Enclosure ZP135.135.60J TM - Cover ZP135.135.15J	
Format: A3	Material: PC, ABS	
Scale 1:2	Tolerance: +/- 0.6	