
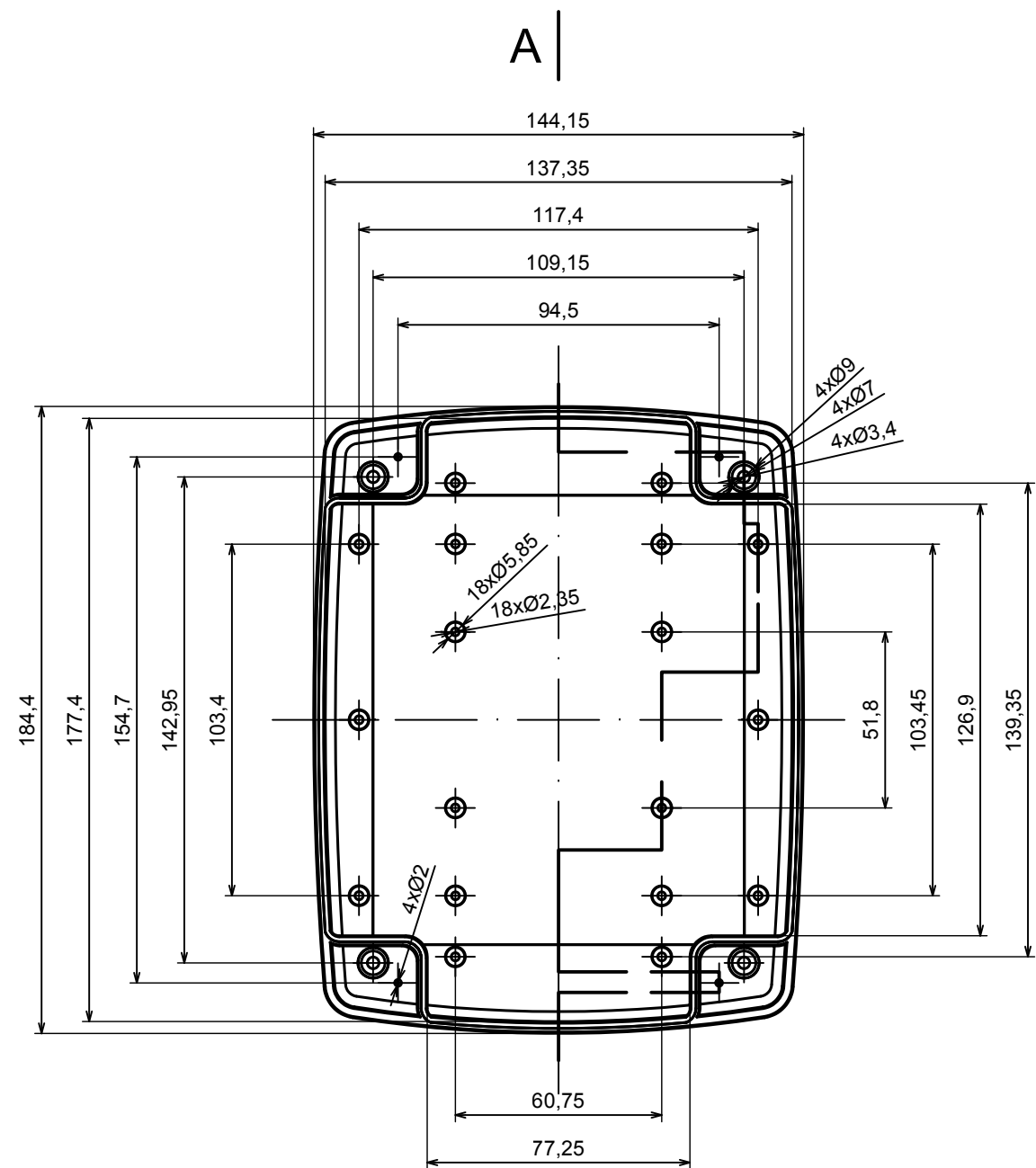


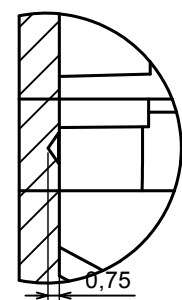
All rights reserved, Copyright Kradox 2017		
Product model	Enclosure Z124S - Assembly	
Format: A3	Material: PS, ABS	
Scale 1:2	Tolerance: +/- 0.5	



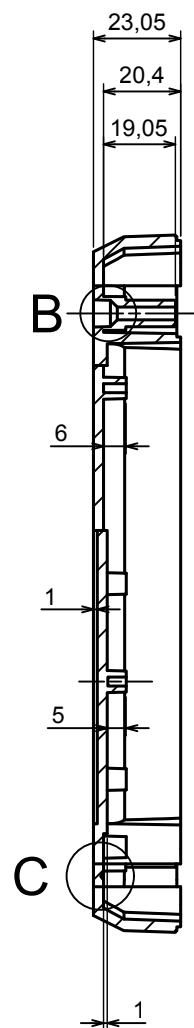
A |

A |

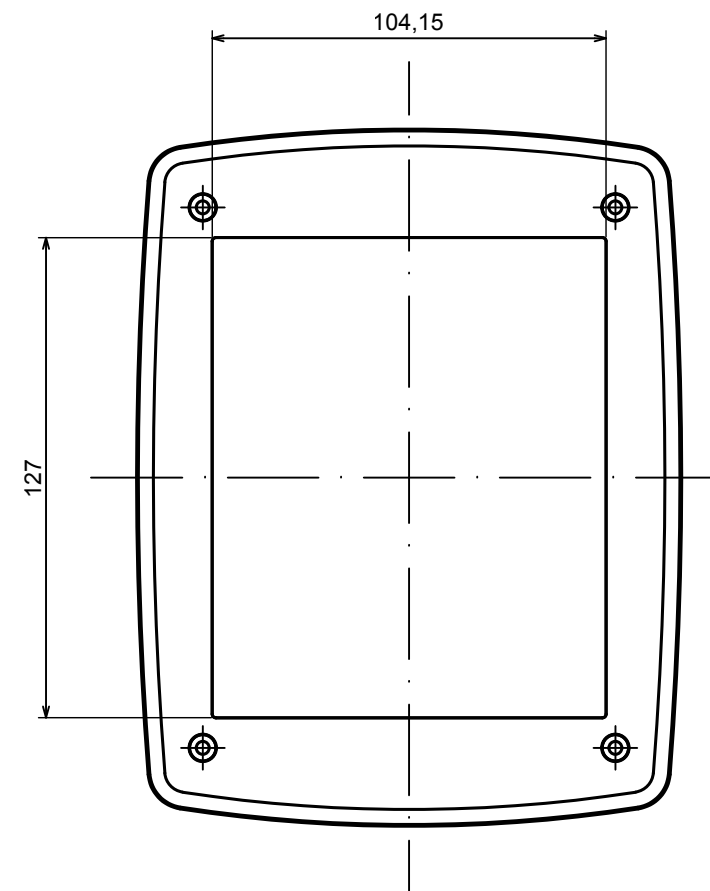
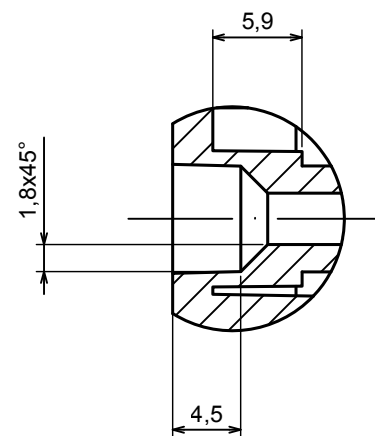
C (2:1)



A-A



B (2:1)



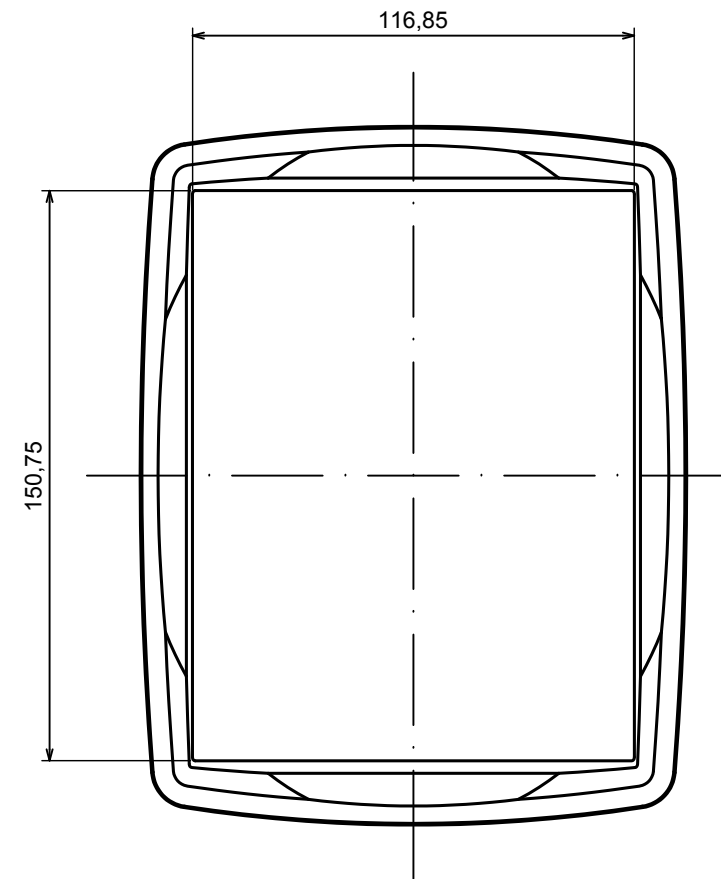
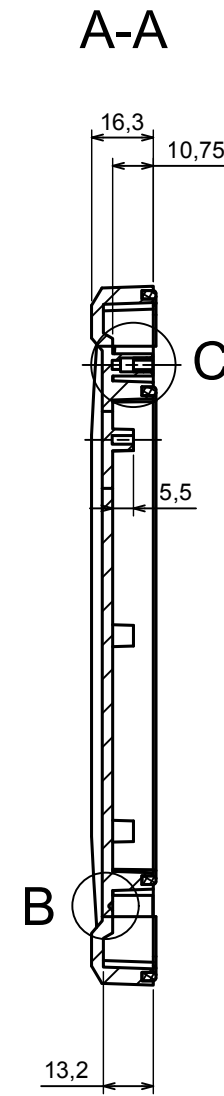
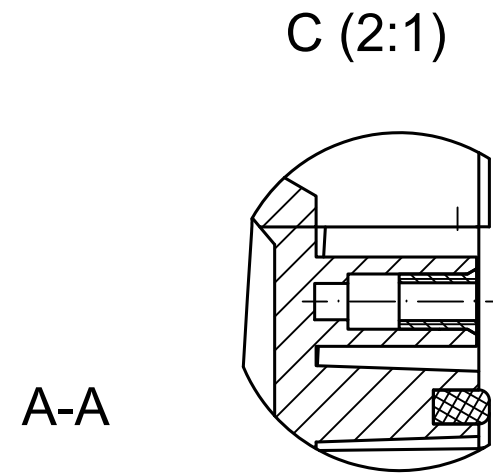
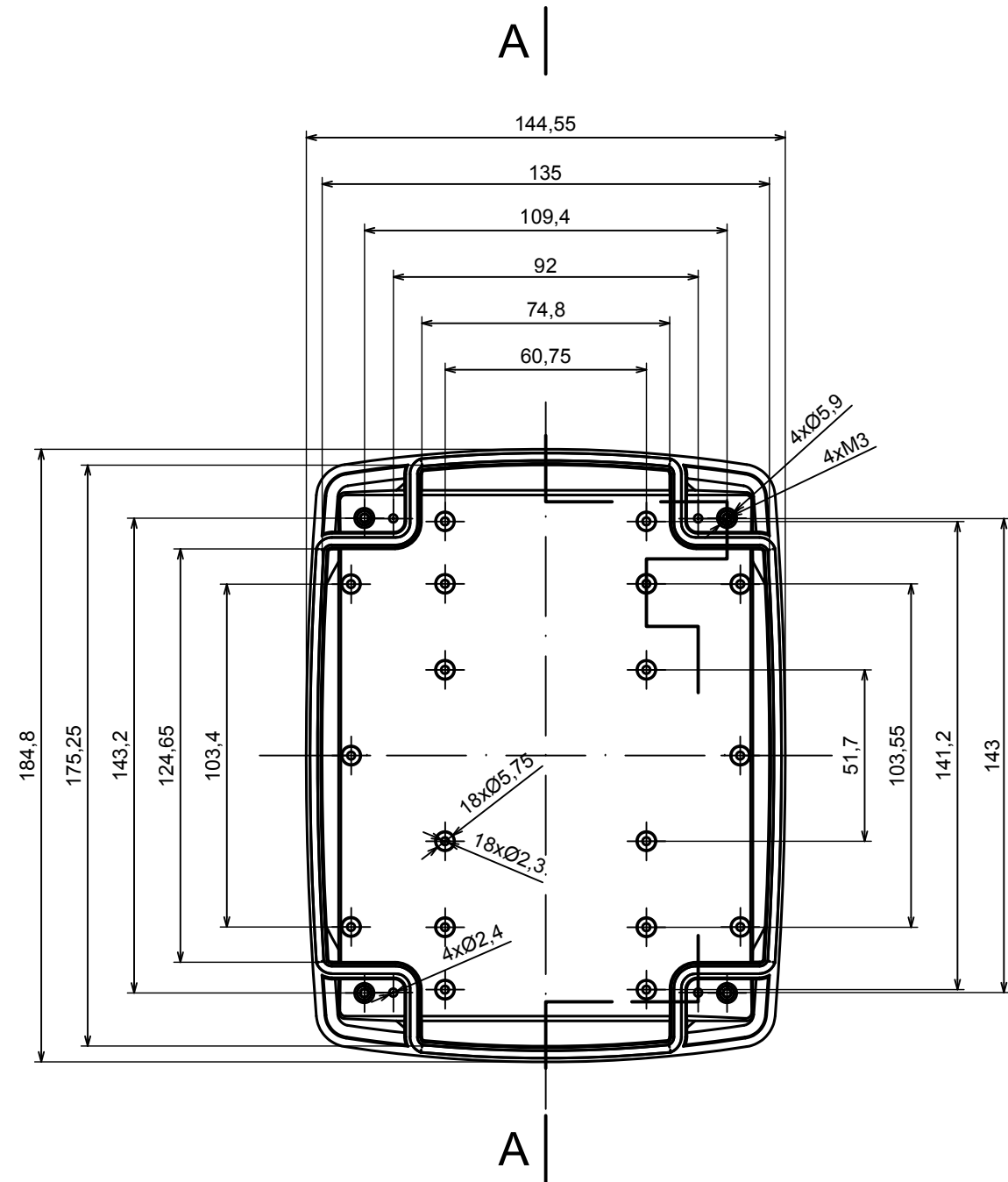
All rights reserved, Copyright Kradox 2017

Product model Enclosure Z124S - Base

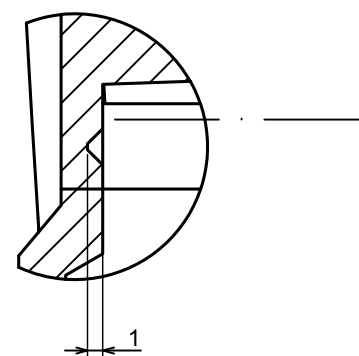
Format: A3 Material: PS, ABS

Scale 1:2 Tolerance: +/- 0.5





B (2:1)



All rights reserved, Copyright Kradox 2017

Product model Enclosure Z124S - Cover

Format: A3 Material: PS, ABS

Scale 1:2 Tolerance: +/- 0.5

