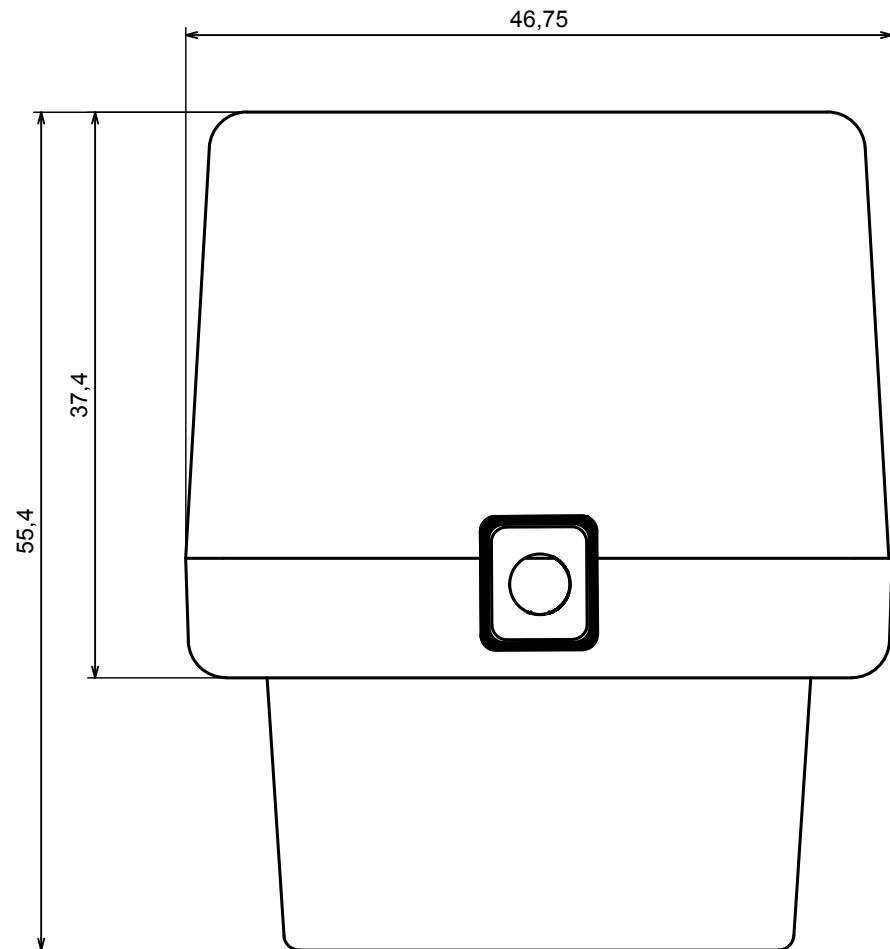
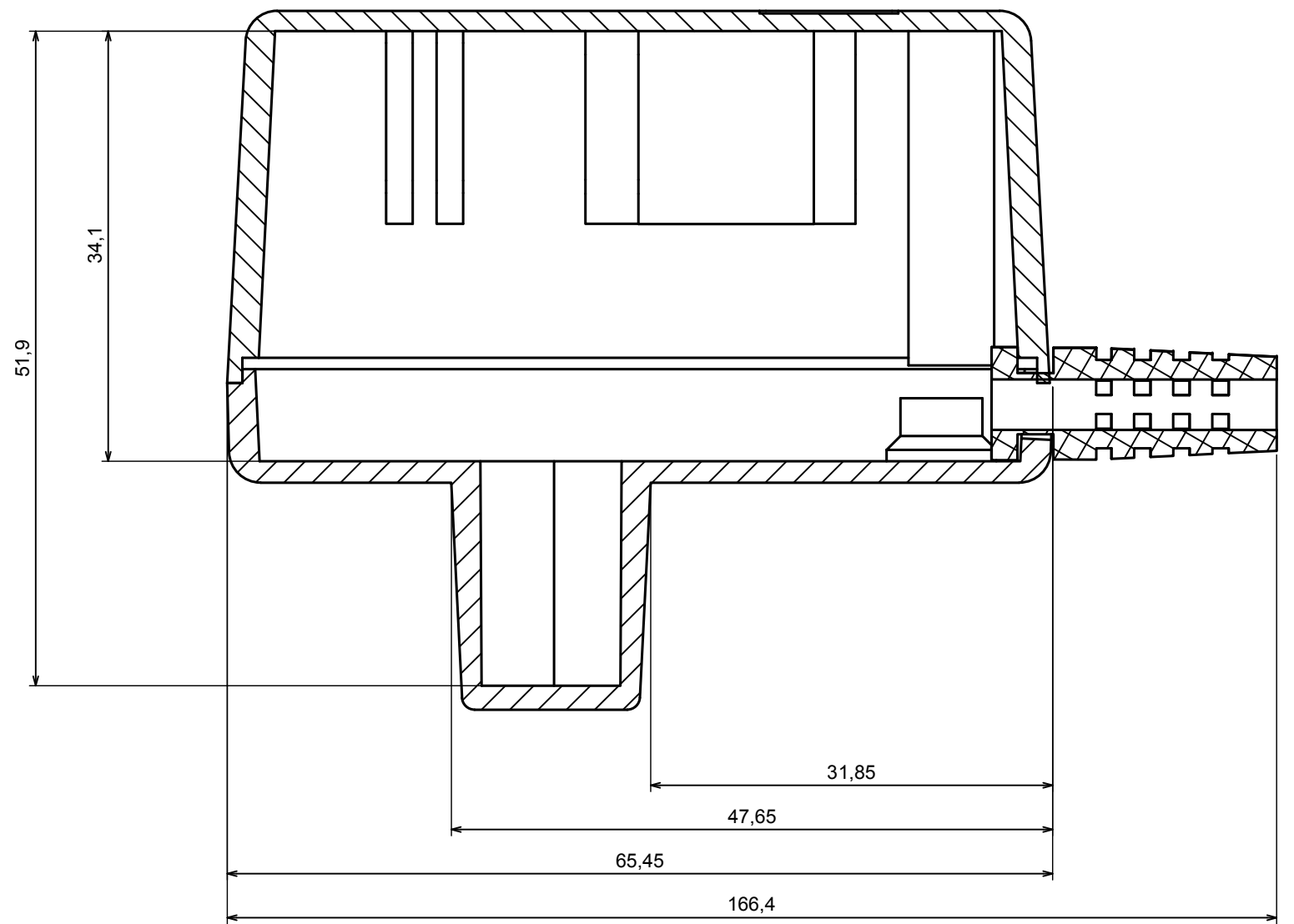


A |



A |

A-A



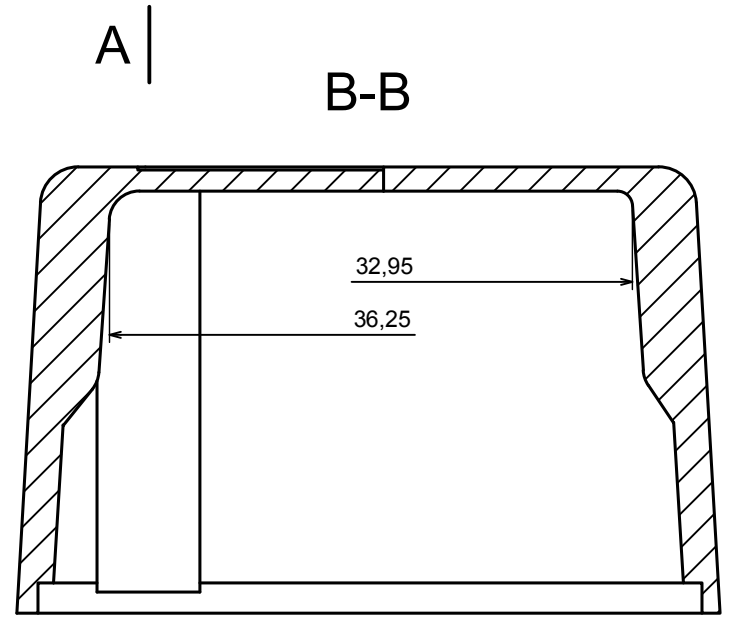
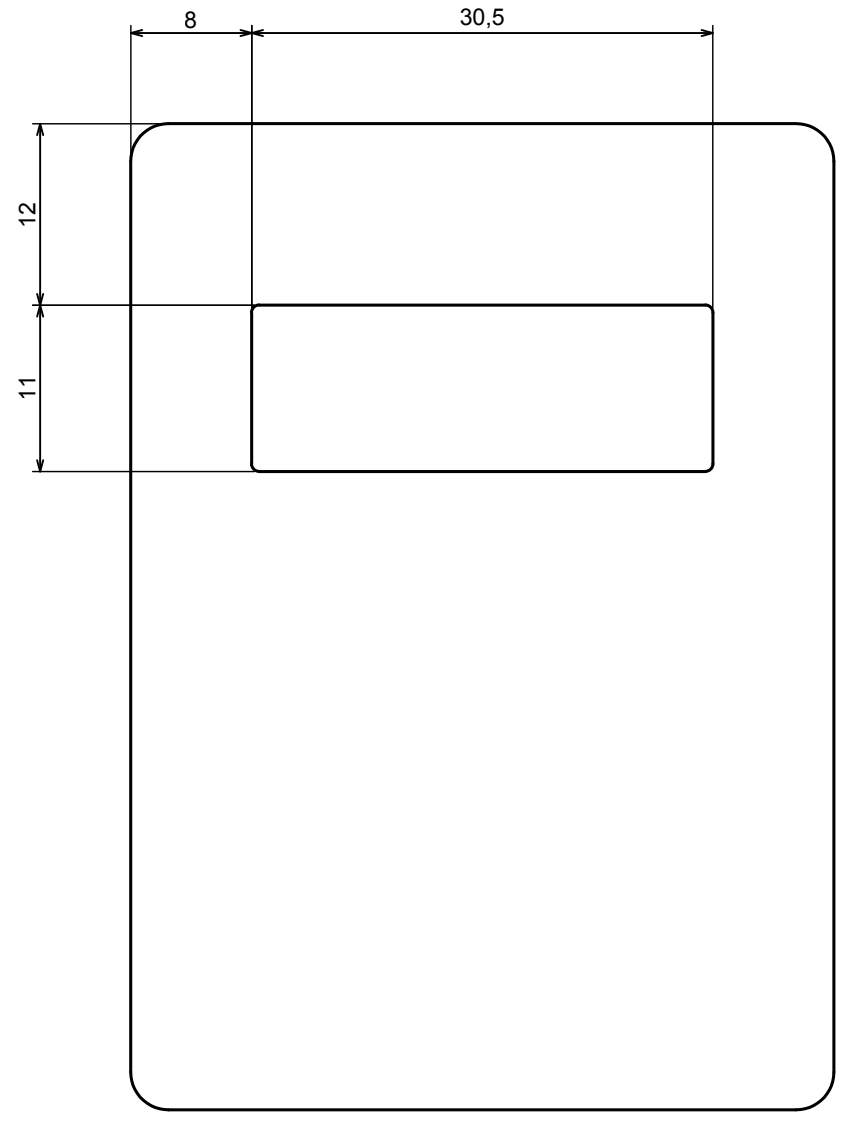
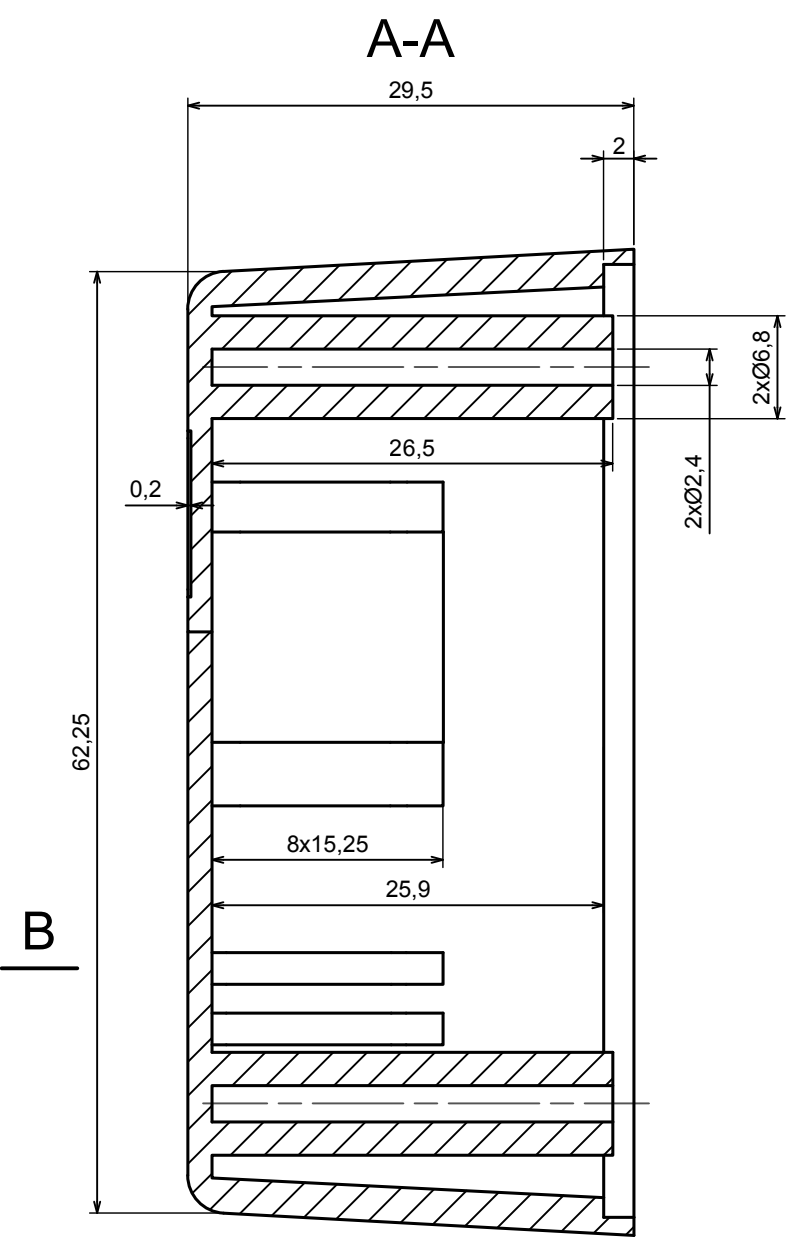
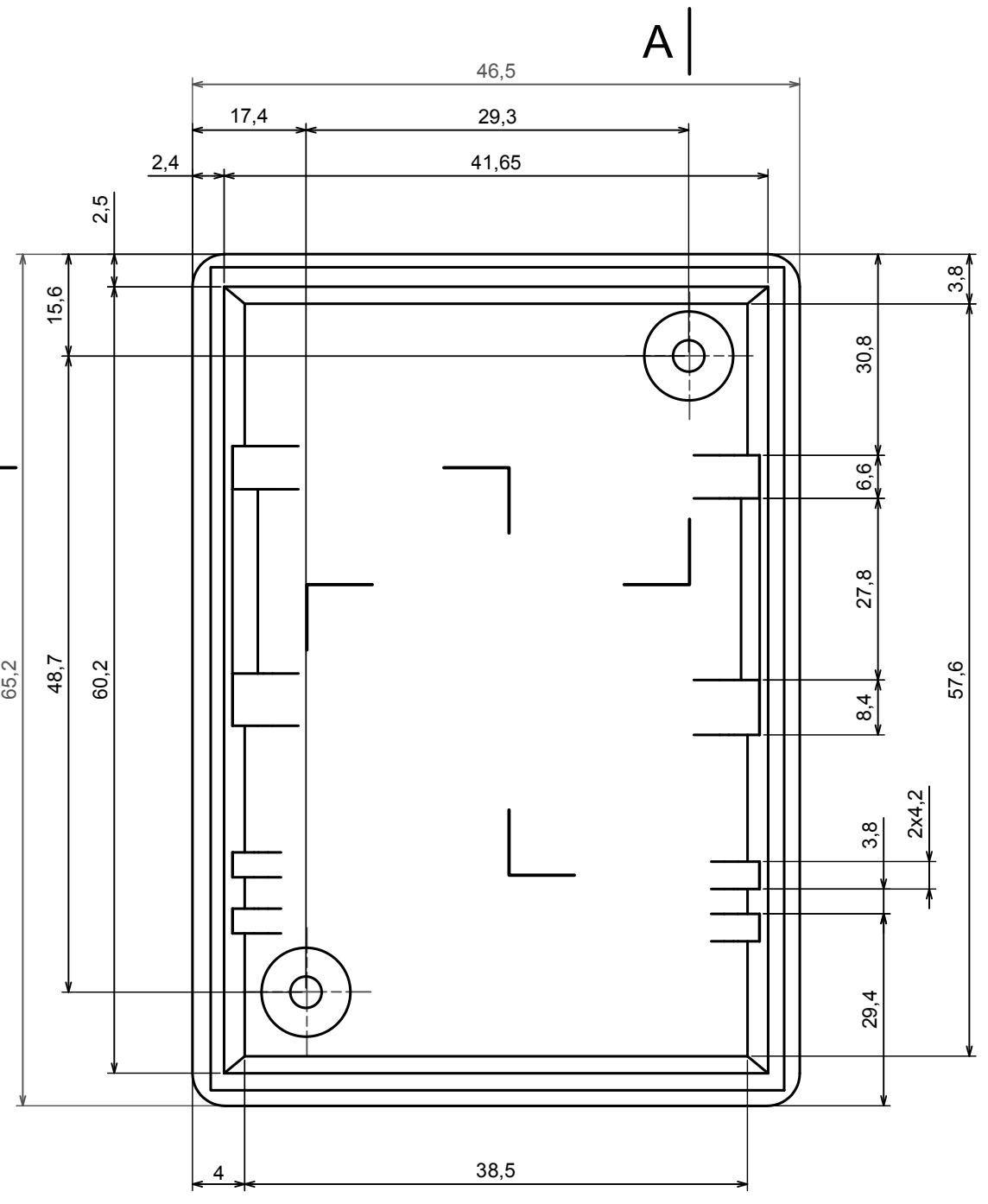
All rights reserved, Copyright Kradox 2017


Product model Enclosure Z13 - Assembly

Format: A3 Material: PS, ABS

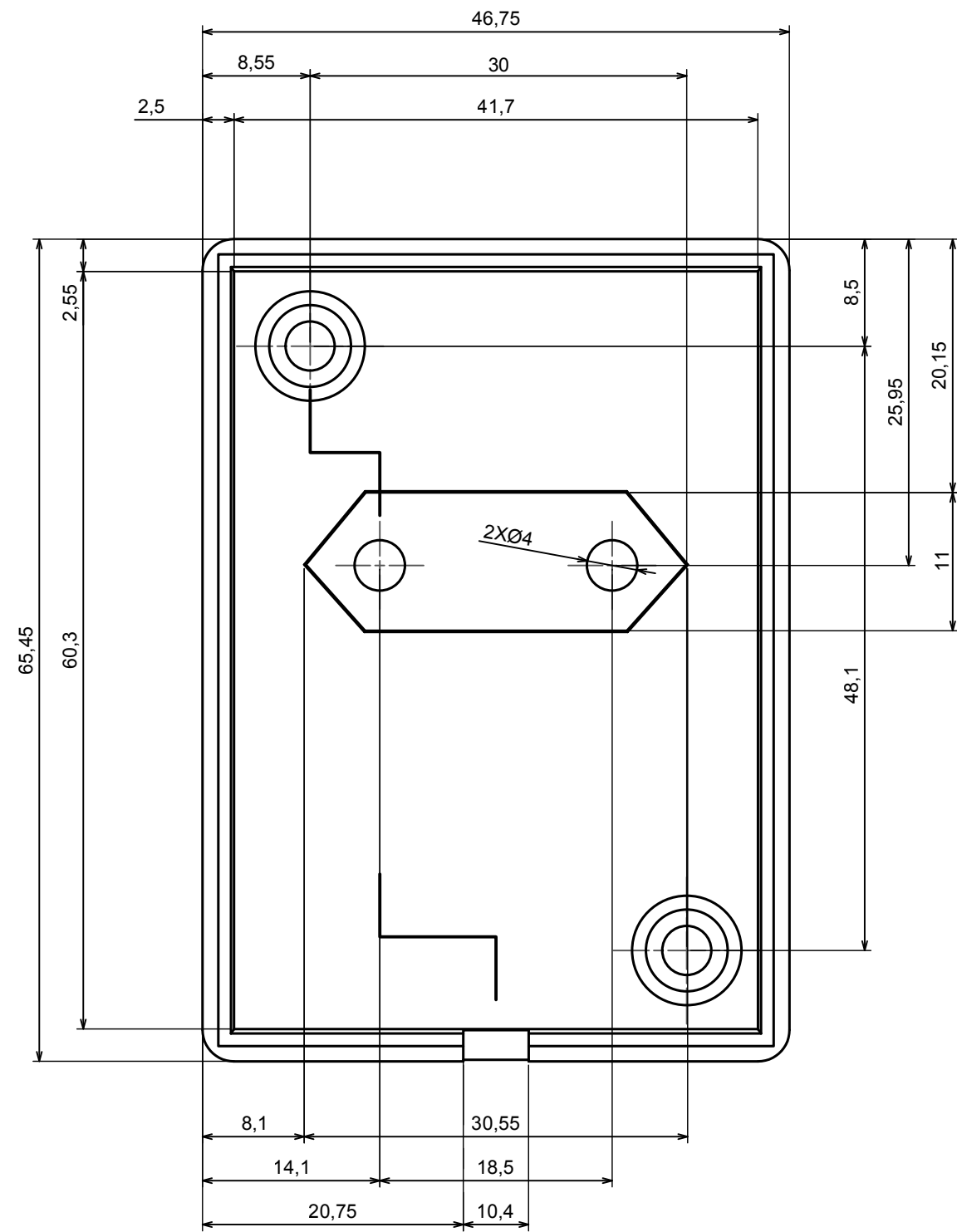
Scale 4:1 Tolerance: +/- 0.8





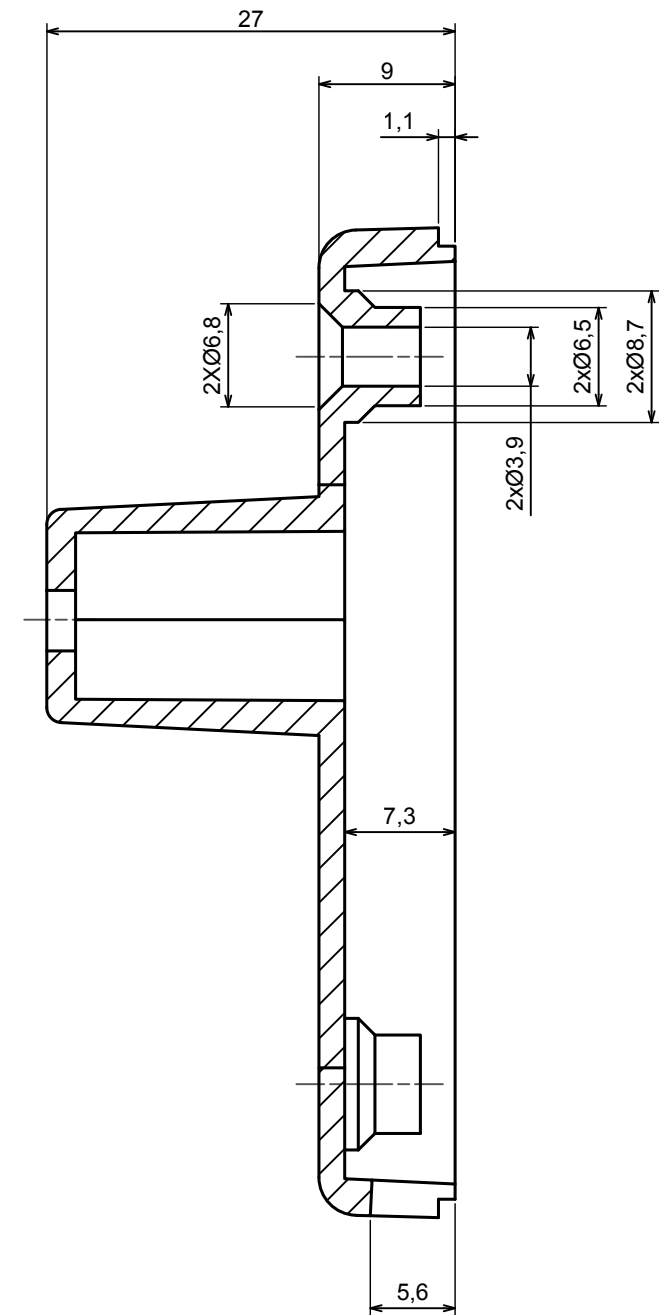
All rights reserved, Copyright Kradox 2017		
Product model	Enclosure Z13 - Base	
Format: A3	Material: PS, ABS	
Scale 4:1	Tolerance: +/- 0.8	

A |



A |

A-A



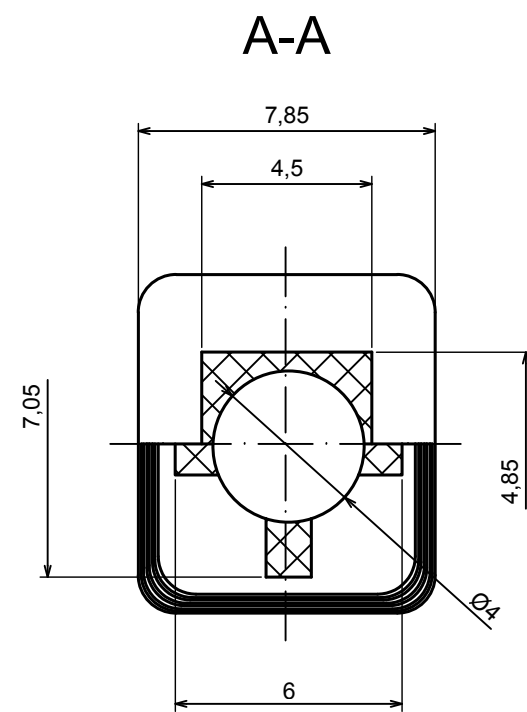
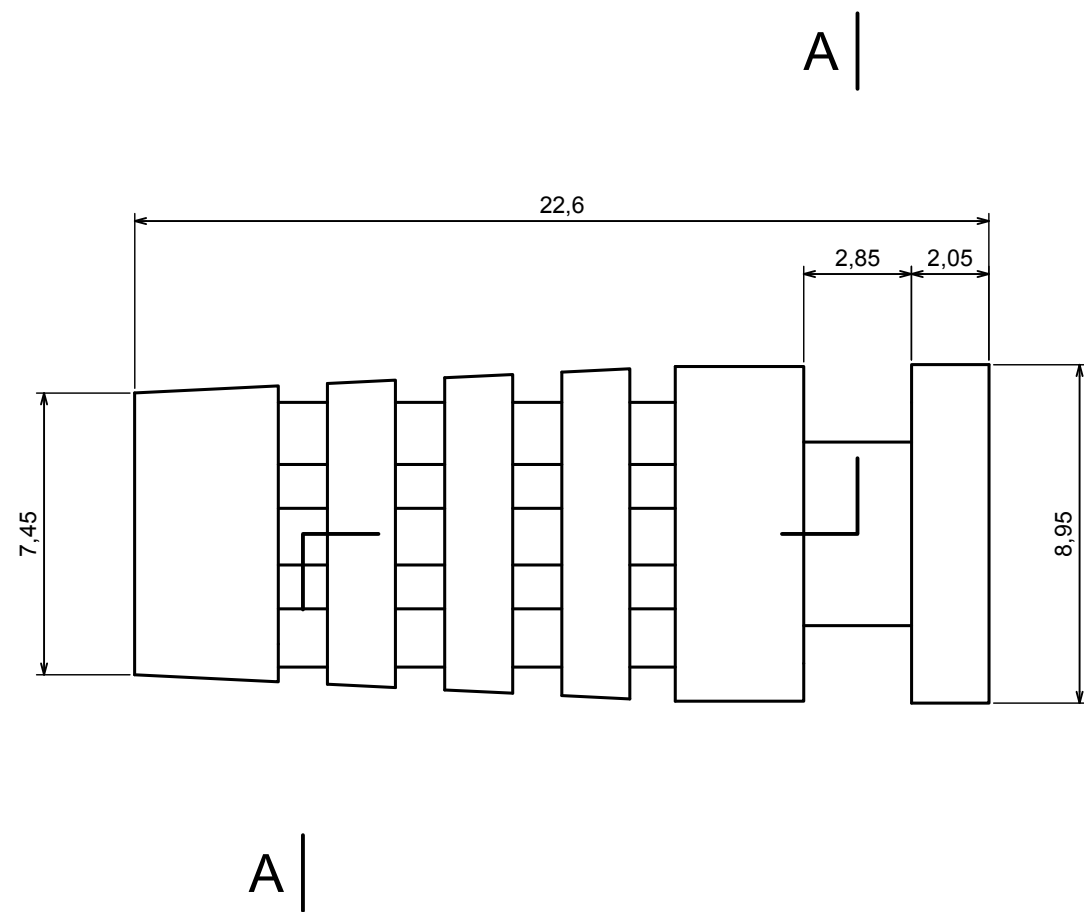
All rights reserved, Copyright Kradox 2017

Product model: Enclosure Z13 - Cover

Format: A3 Material: PS, ABS

Scale 4:1 Tolerance: +/- 0.8





All rights reserved, Copyright Kradox 2017		
Product model	Enclosure Z13 - Bend Protector $\varnothing 4$	
Format: A3	Material: Rubber	
Scale 1:1	Tolerance: +/- 0.5	