

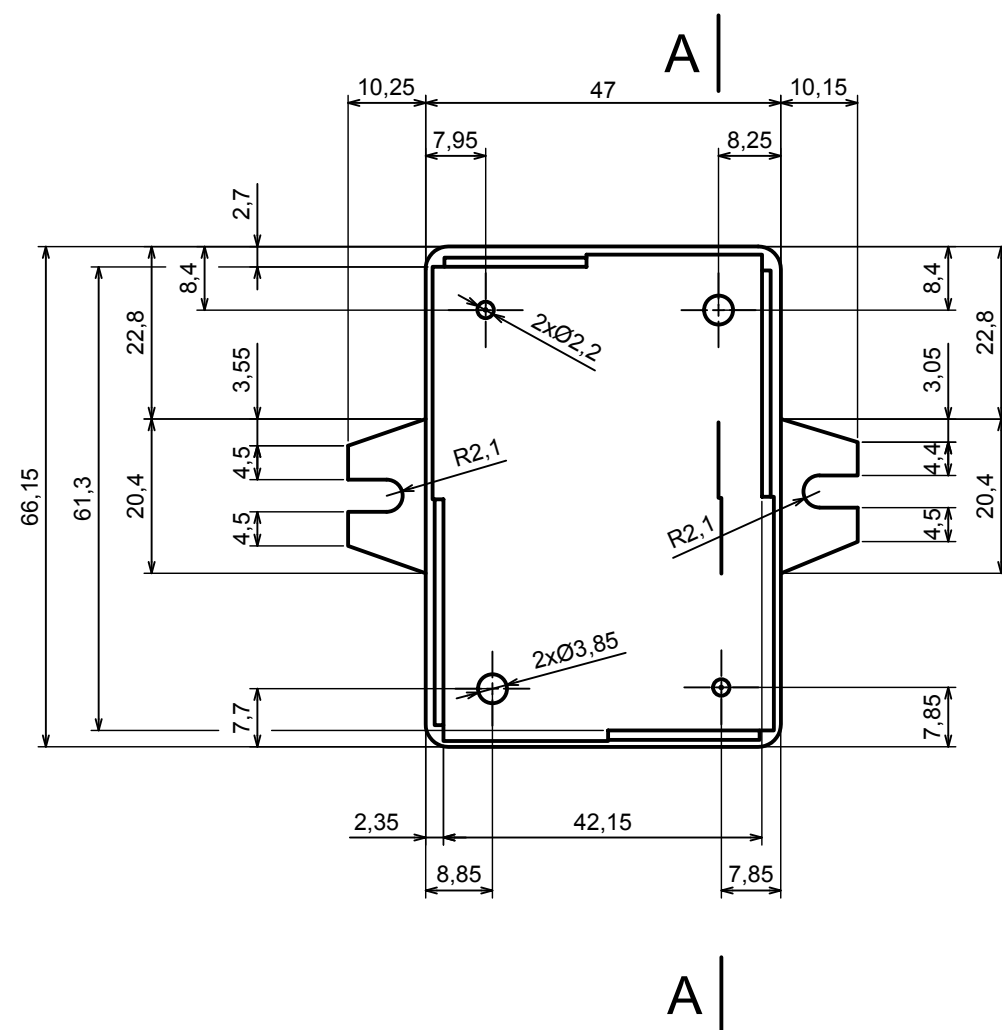
All rights reserved, Copyright Kradox 2017

Product model: Enclosure Z24U - Assembly

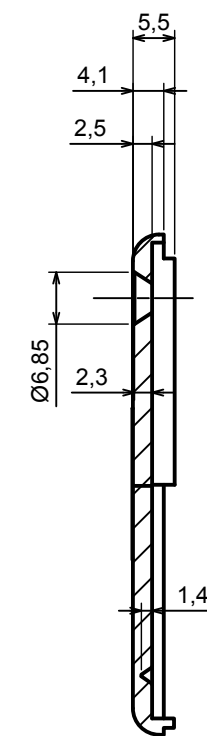
Format: A3 Material: PS, ABS

Scale 1:1 Tolerance: +/- 0.8





A-A



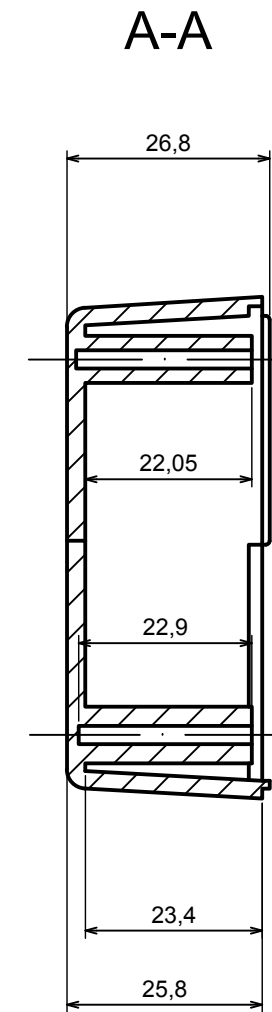
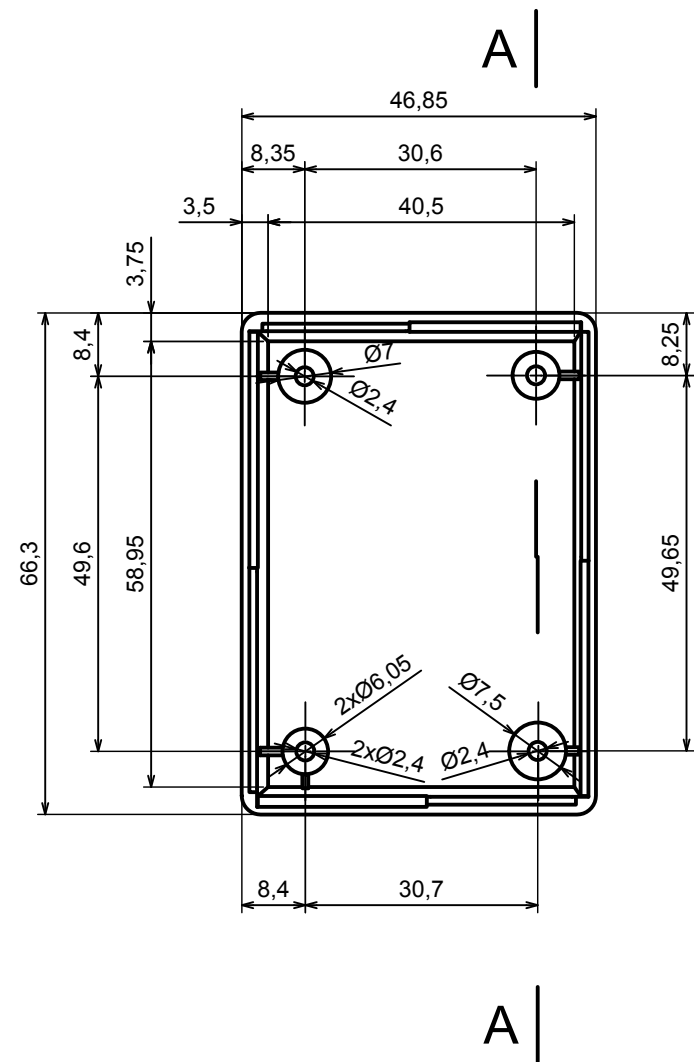
All rights reserved, Copyright Kradox 2017


Product model: Enclosure Z24U - Base

Format: A3 | Material: PS, ABS

Scale 1:1 | Tolerance: +/- 0.8





All rights reserved, Copyright Kradox 2017		
Product model	Enclosure Z24U - Cover	
Format: A3	Material: PS, ABS	
Scale 1:1	Tolerance: +/- 0.8	