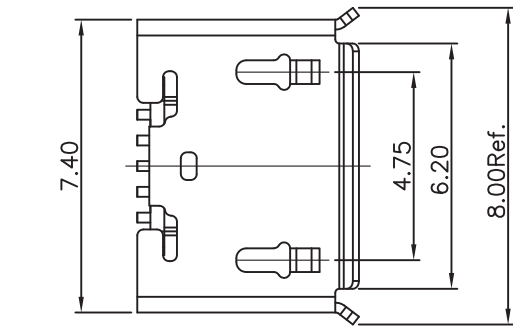
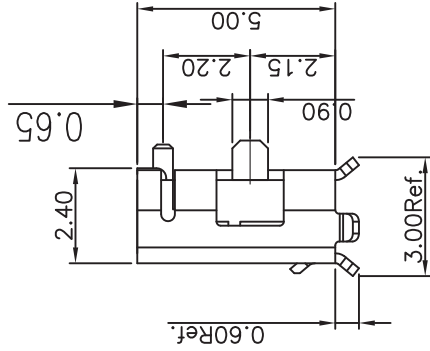


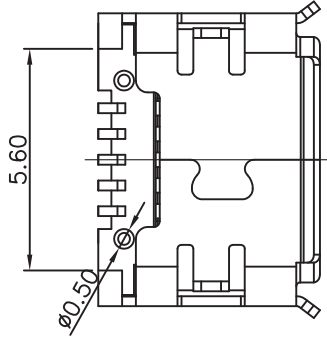
A



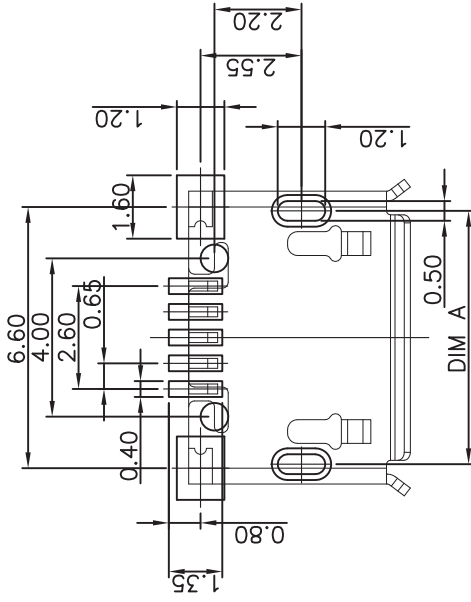
B



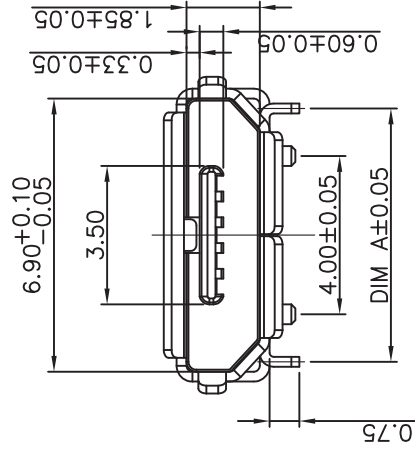
C



C



D



E

RECOMMENDED PCB LAYOUT(TOP VIEW)
GENERAL TOLERANCES:±0.05

NOTES:

1. MATERIAL:
 - 1.1 HOUSING: THERMOPLASTIC FLAMMABILITY RATING UL94V-0
 - 1.2 CONTACT: COPPER ALLOY T=0.15mm
 - 1.3 SHELL: STAINLESS STEEL T=0.25mm
2. FINISH:
 - 2.1 CONTACT:
 - 3u" Min. PLATED ON CONTACT AREA
 - G/F PLATING ON SOLDER TAIL AREA
 - 50~80u" NICKEL UNDERPLATING OVERALL
 - 2.2 SHELL:
 - 80~120u" MATTER TIN PLATING ALL
 - 50~80u" NICKEL UNDERPLATING OVERALL
3. SPECIFICATION:
 - 3.1 CURRENT RATING: 1.0A MAX
 - 3.2 VOLTAGE: 100 VAC
 - 3.3 TEMPERATURE RANGE: -30 °C ~ 85 °C
 - 3.4 CONTACT RESISTANCE: 30 MILLIONHM MAX
 - 3.5 DIELECTRIC WITHSTANDING VOLTAGE: 200 VAC r.m.s
 - 3.6 INSULATION RESISTANCE: 100 MEGOHMS MIN.

TABLE:

P/N.	TYPE	DIM A
AUSB-1009-05S	WITHOUT POST	6.40
AUSB-1009-05S2	WITH POST	6.60
AUSB-1010-05S	WITHOUT POST	5.65
AUSB-1010-05S2	WITH POST	
AUSB-1011-05S	WITHOUT POST	
AUSB-1011-05S2	WITH POST	

X.	±0.50	X.	±5'	NAME(INTENDED USE)
X	±0.30	.X'	±2'	CUSTOMER
.XX	±0.20	.XX'	±1'	PART NO.(INTENDED USE)
.XXX	±0.10	.XXX'	±0.5'	AUSB-10XX-05SX
UNITS	MM	MM		APPV'D
MAT'S				CHK'D
FINISH				DR': Yuqilong 2010-11/02

Wellco T&C Co., Ltd.

TITLE:	MICRO USB 5P DIP+SMT TYPE
DWG NO.	ZT-10XX-MICRO-05SX
SCALE	3:1
SHEET	1/1
REV	B