

# LINEAR ACTUATOR

LA50

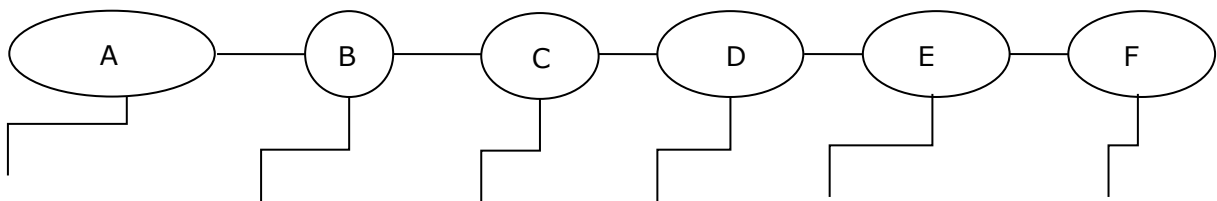


## Main Spec:

Type	LA50
Input option	12/24/36/48VDC
Load	1000~15000N 100~1500KG 220~3300LBS
Speed option	2.5~160mm/s 0.1~6.4inch/s
Limited switch	with
Duty cycle	25%
House material	Aluminum
Inner tube material	Stainless steel
Stroke length option	0~1500mm 0~600inch
Color	Black
Operation temperature	-26°C ~+65°C
Signal feedback	Potentiometer/Hall sensor
IP	IP65
Certificate	CE

## Customized order example:

A — B — C — D — E — F — G



Input            Load            Unload speed    Stroke    Retracted length    Cable length

G: Customer's special requirement

**Spec:**

Type	Load: N	Unload speed: MM/S	Load speed: MM/S	Max current A			
				12V	24V	36V	48V
LA50-1	1000	160	80	20	13	6	3
LA50-2	1500	100	65	20	12	5	2.6
LA50-A	2000	65	30	17	8.5	6.5	4
LA50-B	2000	50	30	17	8.5	6.5	4
LA50-C	2000	40	25	16	7.5	5.5	3.5
LA50-D	3000	20	14	17	8.5	6	3.6
LA50-E	4000	15	12	16	7.5	5.5	3.5
LA50-F	7000	12	9	11	5.5	4	2.5
LA50-G	9000	8.5	5	10	5.5	4	2.6
LA50-H	10000	5	3	11	6	4	2.6

**Normal drawing cable:**

For ACME lead screw  $L_{min} = \text{Mini retracted length} = 250\text{mm} + \text{Stroke}$

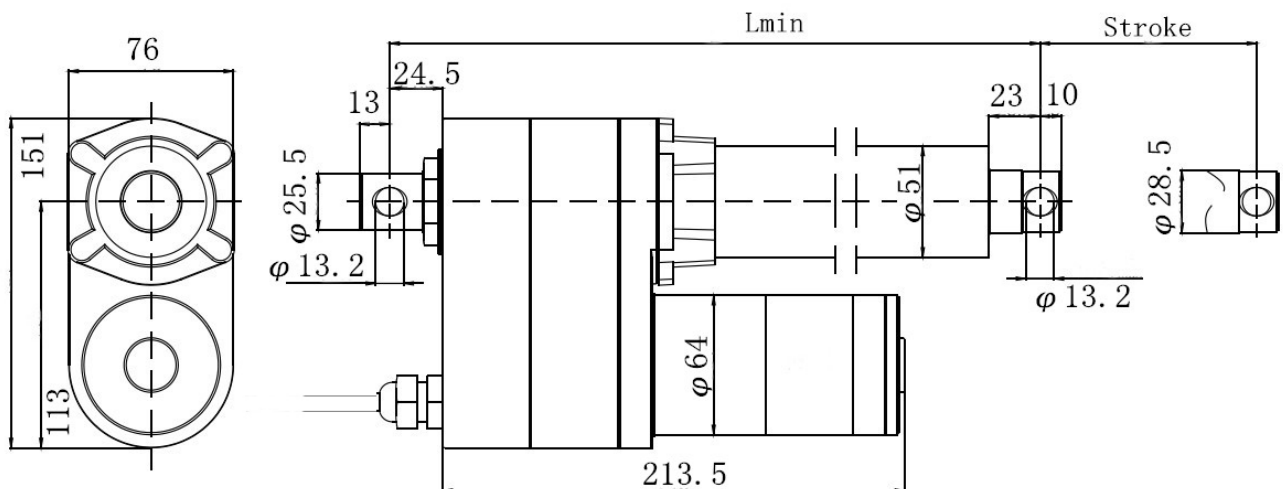
For Ball Screw lead screw  $L_{min} = \text{Mini retracted length} = 260\text{mm} + \text{Stroke}$

$L_{min}$  means the length when linear actuator 100% fully retracts, meanwhile, it will touch the tail limited switch, stop automatically, very safe.

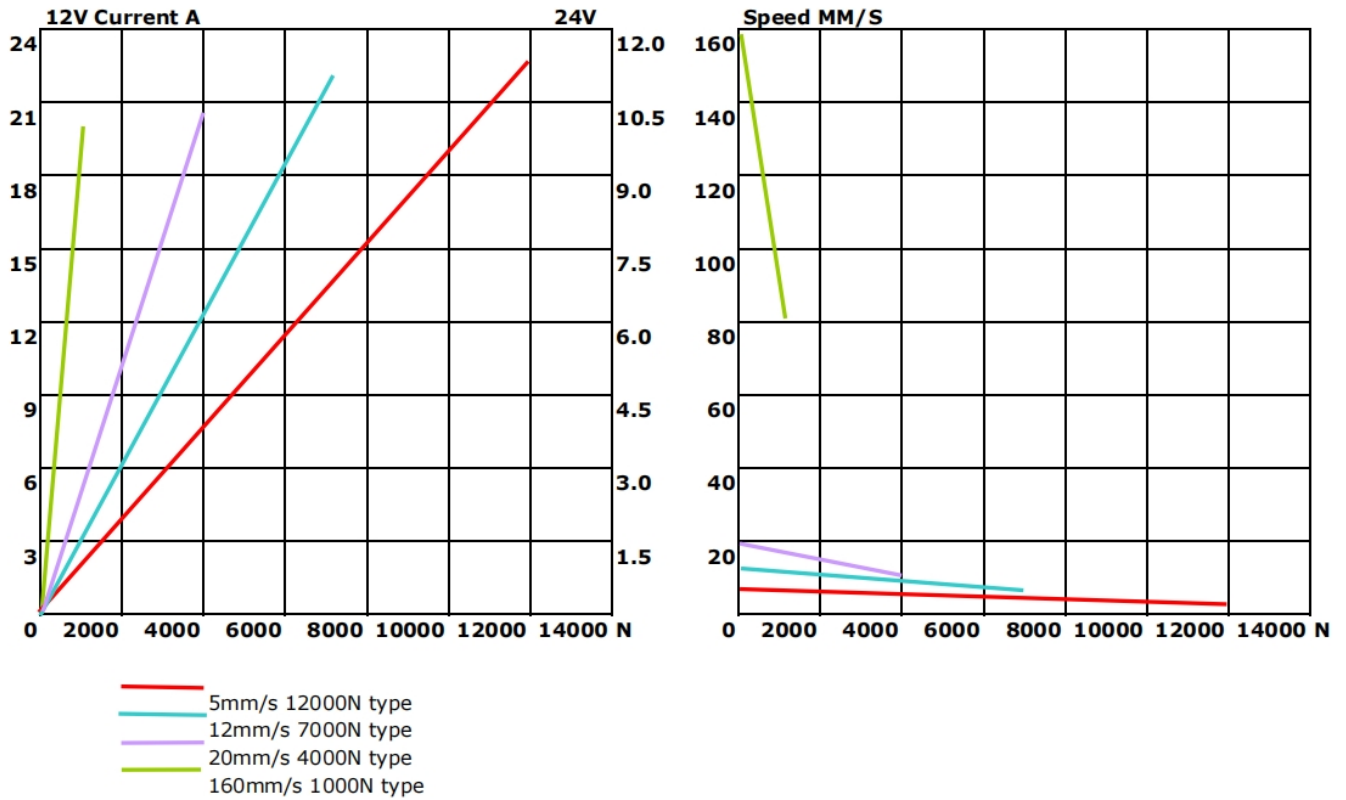
$L_{max} = \text{Max extended length} = L_{min} + \text{Stroke} = 250\text{mm} + 2 * \text{Stroke}$

$L_{max}$  means the length when linear actuator 100% fully extends, meanwhile, it will touch the head limited switch, stop automatically, very safe.

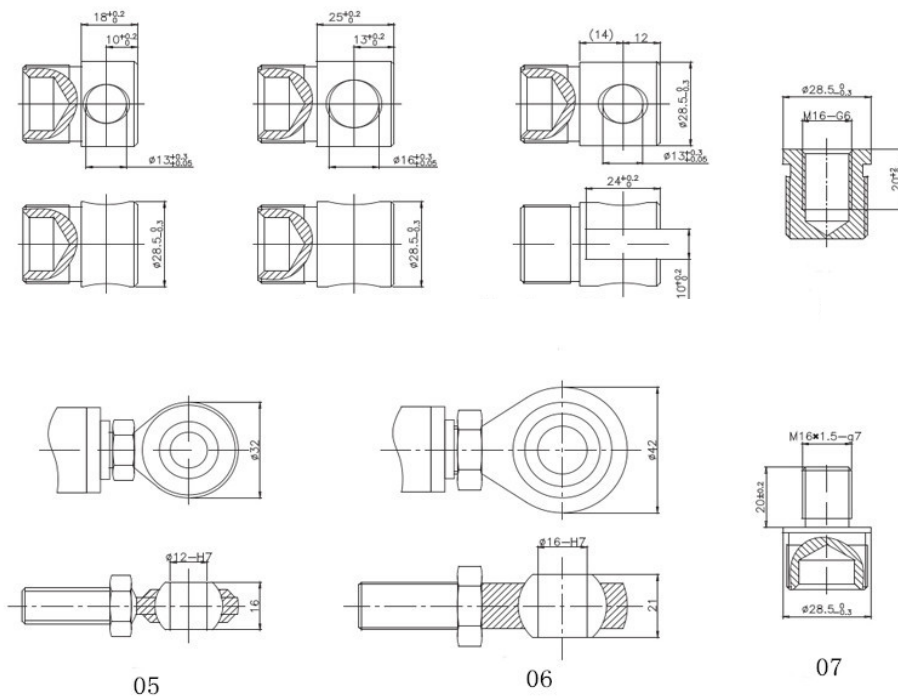
Brown and black cable is for motor power + and -



**Force , Speed & Current:**



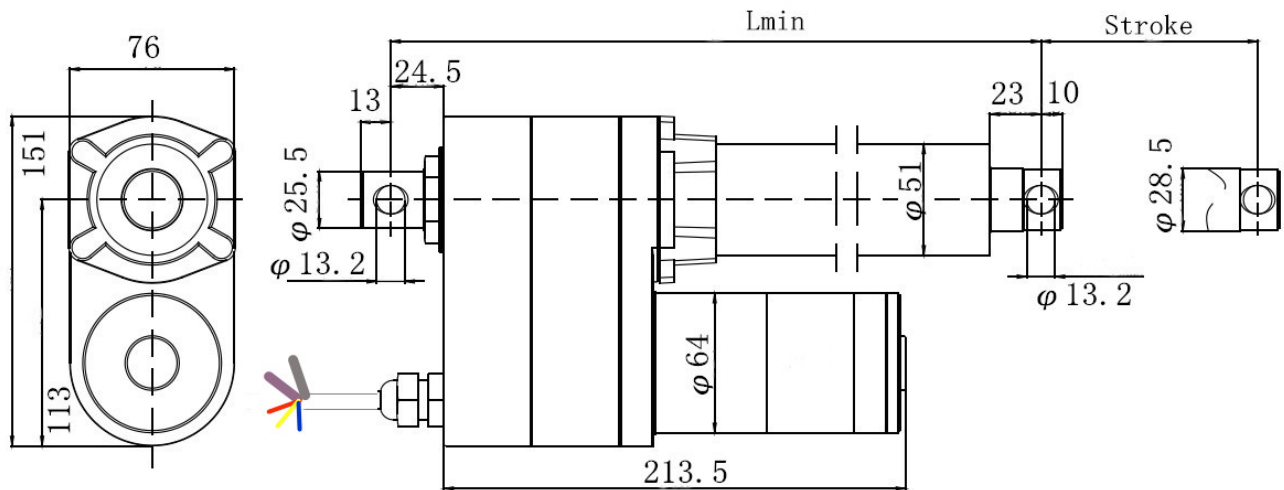
The customers have many different applications for linear actuator. We can supply varies of front and rear connector to meet your requirements. Here is the drawing.



## Cable

### With potentiometer

Brown and black cable is for motor power + and -  
 Red, yellow and blue cable is for Potentiometer



### With Hall Effect Sensor

Brown and black cable is for motor power + and -  
 Red, black, yellow and blue cable is for hall sensor

