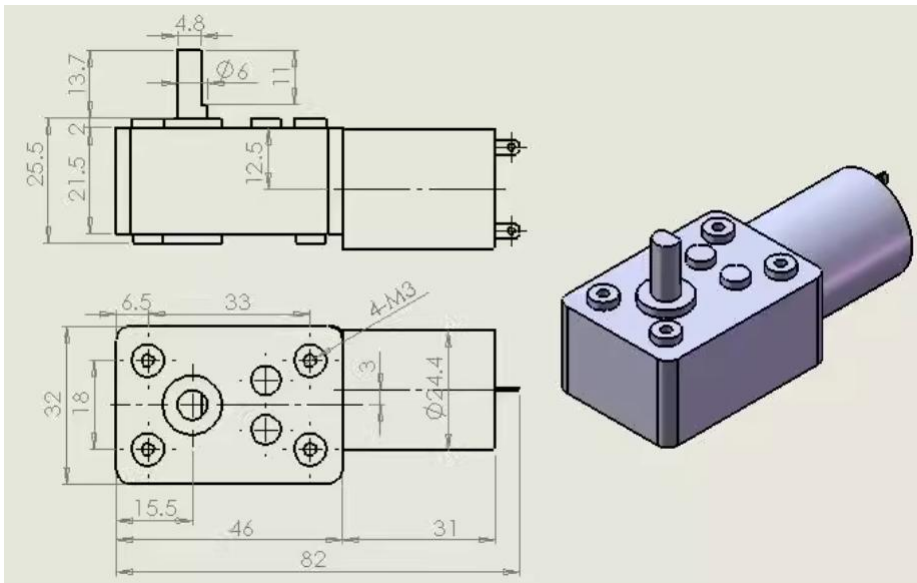


## Metal Gear Worm Motor (6V 40RPM 10kg/cm)



- Supply voltage: 3-9V
- Rated voltage: 6V
- Gear ratio: 150:1
- No-load current: 40mA
- Rated current: 250mA
- Current at stopped shaft: 1.7A
- Idle speed: 8RPM
- Rated speed: 40RPM
- Rated torque: 2.5KG.CM
- Torque at stopped shaft: 10KG.CM