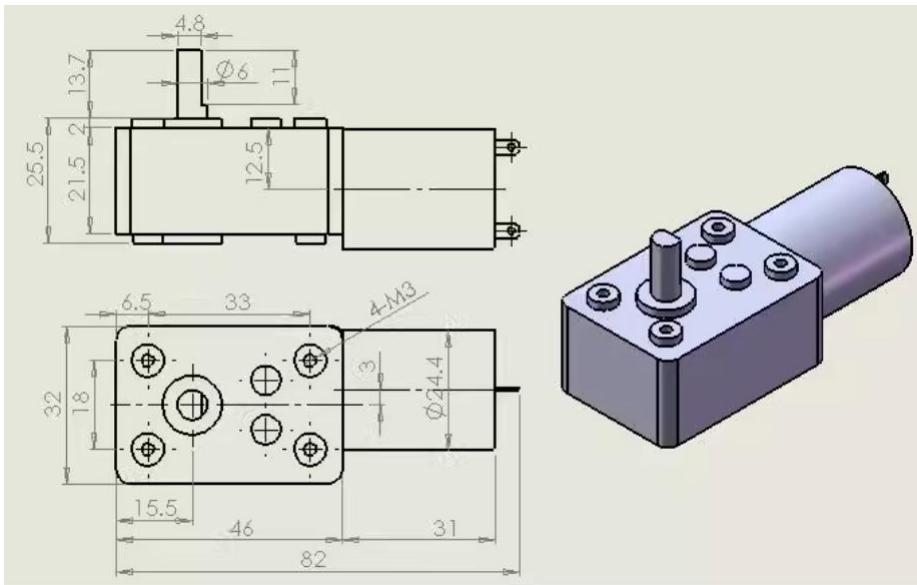


## DC 12V 160RPM motor with worm gear



- Supply voltage: 6-15V
- Rated voltage: 12V
- Gear ratio: 37.3:1
- No-load current: 35mA
- Rated current: 180mA
- Current at stopped shaft: 1A
- Idle speed: 128RPM
- Rated speed: 160RPM
- Rated torque: 0.55KG.CM
- Torque at stopped shaft: 1.2KG.CM